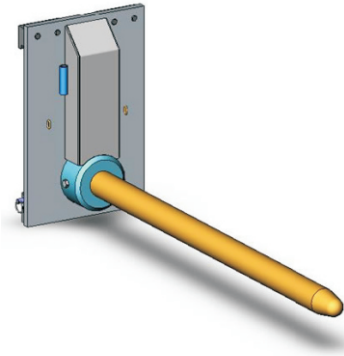


Type RPC-QR2 Carriage Mounted Roll Prong (Class II)

The type NS-RPC-QR2 Carriage Mounted Roll Prong is suitable for carpet, vinyl, fabric or similar products. This unit has been designed with a Class II mounting and features Quick Release lower Carriage Hooks and a spring loaded locating pin for easy installation.

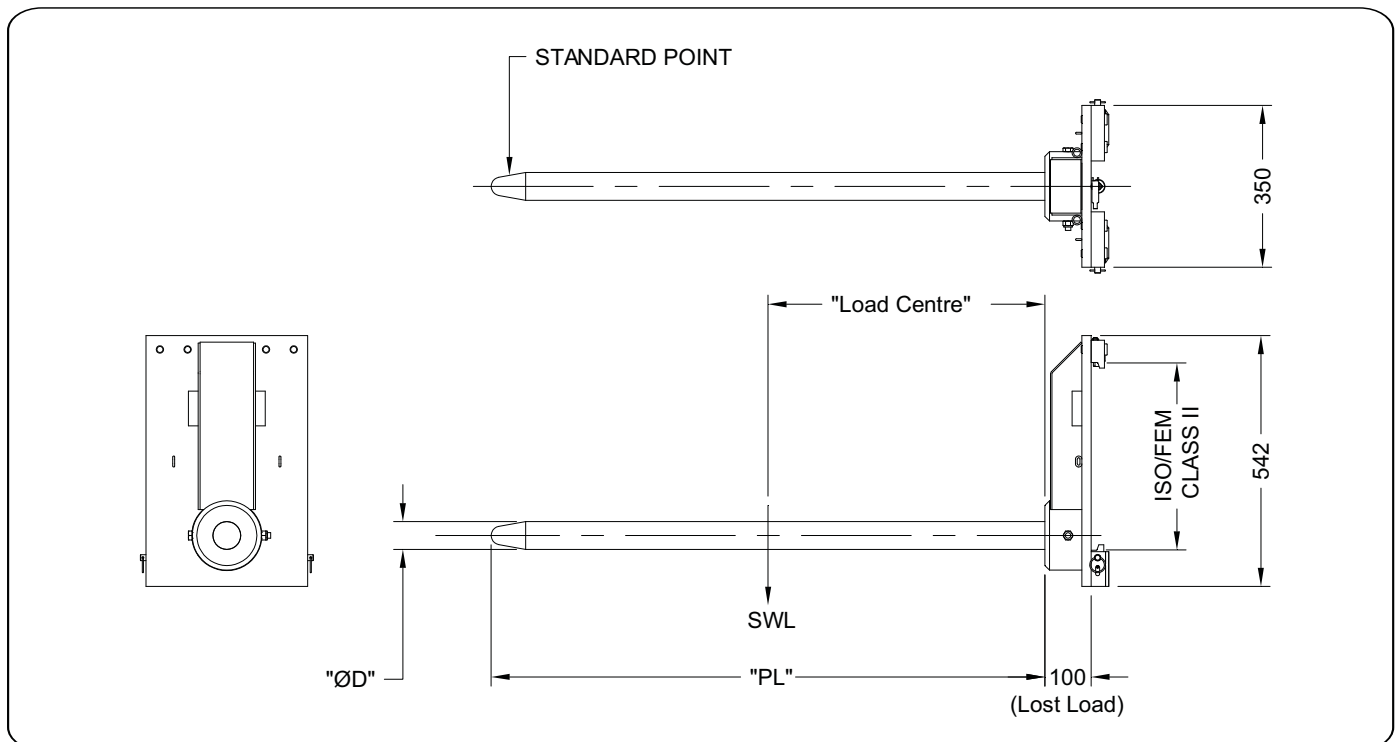
Prongs are manufactured from high tensile steel and can be made to any length. The Safe Working Load (SWL) of this unit varies depending on Prong chosen. For Class III mountings refer NS-RPC-QR3.



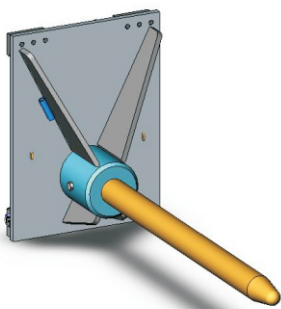
(NS-RPC-QR2 with 70mm Prong shown)

SPECIFICATIONS:

- Safe Working Load (SWL) – refer chart below
- Lost Load 100mm
- Unit Weight – refer chart below
- Standard finish – painted enamel
- Refer diagram below for all other specifications

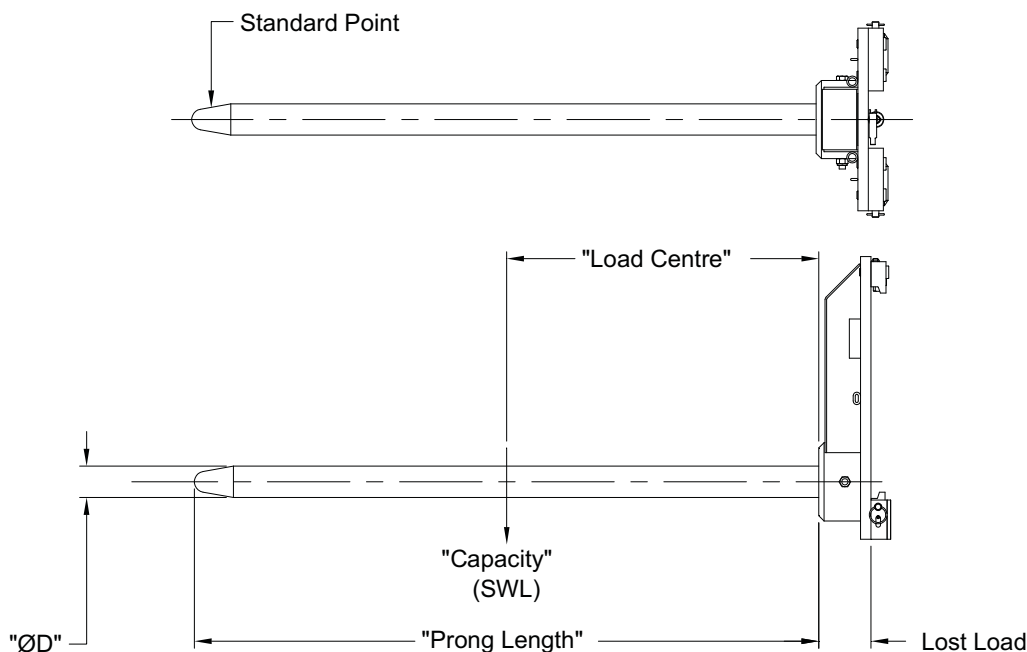


Type NS-RPC-QR2 Carriage Mounted Roll Prong Load Chart



The following Load Chart details the "Capacities" (Safe Working Loads) for Roll Prong diameters from 40-100mm at various Load Centres for the type NS-RPC-QR2 Carriage Mounted Roll Prong models.

Type	"ØD" (mm)	"PL" (mm)	SWL (mm)	Unit Weight (kg)	Load Center (mm)	Hor C of G (mm)
NS RPC - QR2 - 40 - 1200	40	1200	200	63	600	142
NS RPC - QR2 - 50 - 1800	50	1800	250	79	900	348
NS RPC - QR2 - 60 - 2800	60	2800	340	113	1400	820
NS RPC - QR2 - 70 - 2800	70	2800	510	135	1400	930
NS RPC - QR2 - 80 - 2800	80	2800	850	166	1400	1025



SLIP-ON	"ØD"	"Capacity" (kg) at "Load Centre"														Basic Wgt	
		mm	600	700	800	900	1000	1200	1400	1500	1600	1800	2000	2500	3000	1200mm	100mm
Type/Load Centre	mm	600	700	800	900	1000	1200	1400	1500	1600	1800	2000	2500	3000	kg	kg	
NS-RPC-QR2-40-1200	40	200	150	100	60										63	1	
NS-RPC-QR2-50-1800	50	400	350	300	250	200	100	50							70	1.5	
NS-RPC-QR2-60-2800	60	800	700	600	530	480	400	340	320	300	265				77	2.2	
NS-RPC-QR2-70-2800	70	1200	1050	900	800	720	600	510	480	450	400	360			87	3	
NS-RPC-QR2-80-2800	80	2000	1750	1500	1350	1200	1000	850	800	750	665	600	440		100	4.2	

The "Prong Length" should be approximately 75% of the Roll length.
The Basic Weight is calculated with a "Prong Length" of 1200mm.