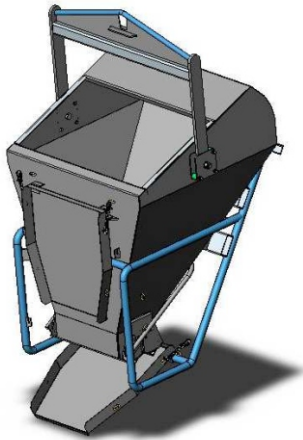


NS-CKL 15 Concrete Laydown Kibble

Concrete Kibbles have been designed for easy transfer of concrete on site by overhead crane.

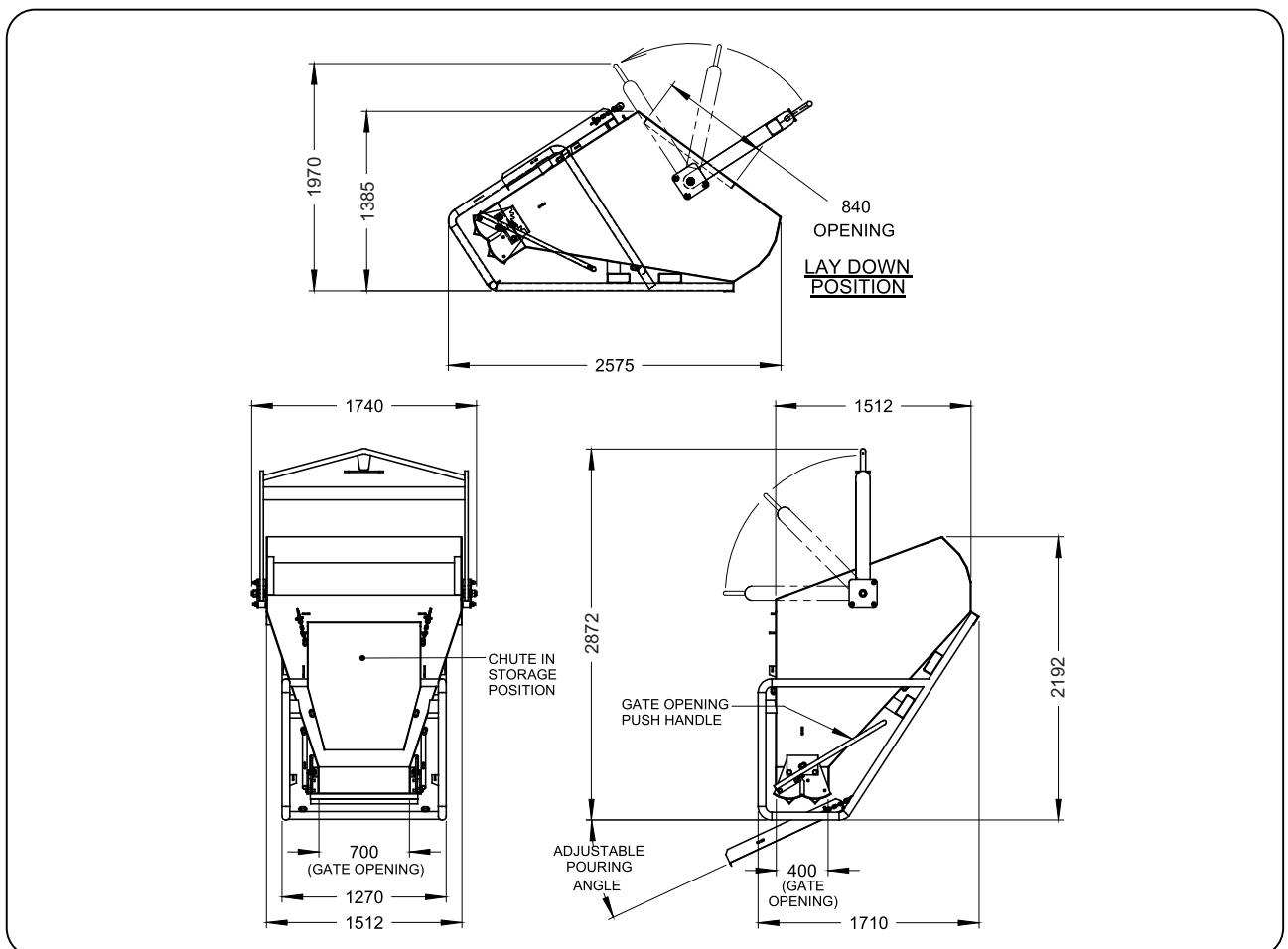


The type NS-CKL 15 Concrete Laydown Kibble is a heavy duty roll-over style Kibble for use by overhead crane. This style Kibble is suitable for large applications having a Safe Working Load of 4000kg and a volume capacity of 1.5 cubic metres. The type NS-CKL 15 Kibble can be used for both bottom discharge or front discharge with the use of the adjustable chute. This unit is lever operated from either side, allowing flexible operation.

The unit has been fitted with Forklift pockets for transport purposes about the work site and has a storage facility for the chute (shown opposite). Options of Rack & Pinion or Air operated discharge gate opening are available.

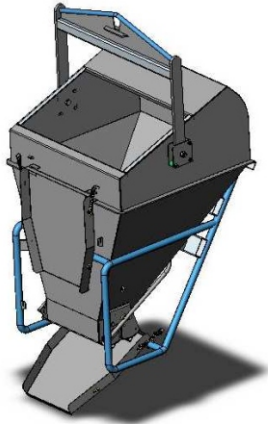
SPECIFICATIONS:

- Safe Working Load (SWL) 4000kg
- Volume Capacity 1.5 cubic metres
- Unit Weight 825kg
- Fork Pocket Size 165 x 65mm
- Fork Pocket Centres 400mm
- Painted 'Safety Yellow' enamel



NS-CKL 20 Concrete Laydown Kibble

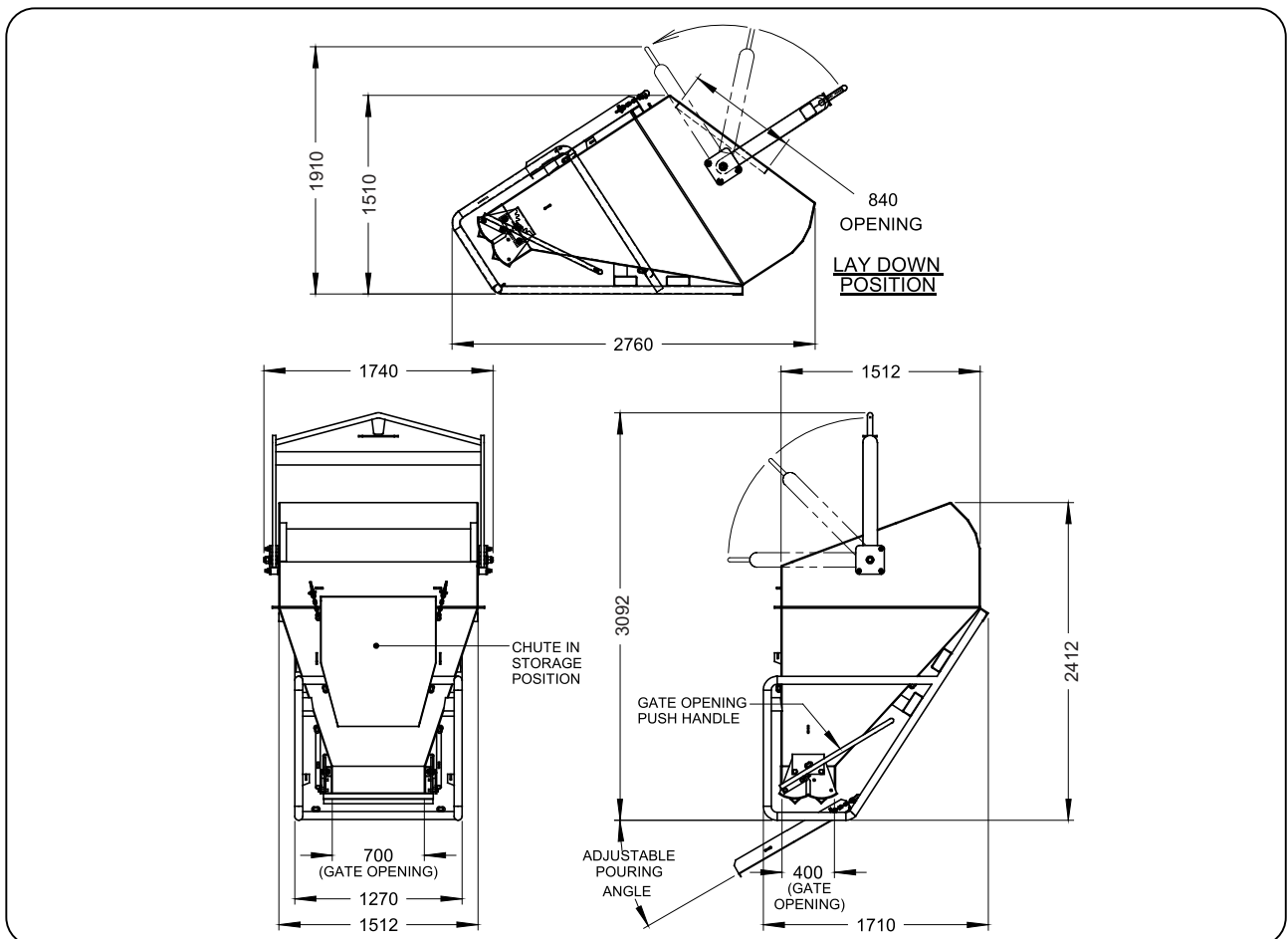
Concrete Kibbles have been designed for easy transfer of concrete on site by overhead crane.



The type NS-CKL 20 Concrete Laydown Kibble is a heavy duty roll-over style Kibble for use by overhead crane. This style Kibble is suitable for large applications having a Safe Working Load of 5000kg and a volume capacity of 2.0 cubic metres. The type NS-CKL 20 Kibble can be used for both bottom discharge or front discharge with the use of the adjustable chute. This unit is lever operated from either side, allowing flexible operation. The unit has been fitted with Forklift pockets for transport purposes about the work site and has a storage facility for the chute (shown opposite). Options of Rack & Pinion or Air operated discharge gate opening are available.

SPECIFICATIONS:

- Safe Working Load (SWL) 5000kg
- Volume Capacity 2.0 cubic metres
- Unit Weight 905kg
- Fork Pocket Size 165 x 65mm
- Fork Pocket Centres 400mm
- Painted 'Safety Yellow' enamel

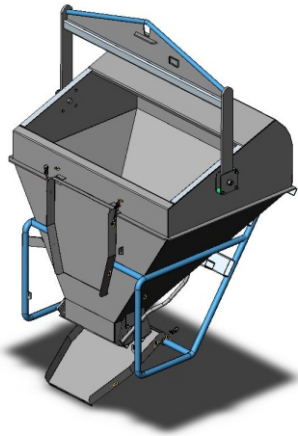


NS-CKL 30 Concrete Laydown Kibble

Concrete Kibbles have been designed for easy transfer of concrete on site by overhead crane.

The type NS-CKL 30 Concrete Laydown Kibble is a heavy duty roll-over style Kibble for use by overhead crane. This style Kibble is suitable for large applications having a Safe Working Load of 7000kg and a volume capacity of 3.0 cubic metres. The type NS-CKL 30 Kibble can be used for both bottom discharge or front discharge with the use of the adjustable chute.

This unit is lever operated from either side, allowing flexible operation. The unit has been fitted with Forklift pockets for transport purposes about the work site and has a storage facility for the chute (shown opposite). Options of Rack & Pinion or Air operated discharge gate opening are available.



SPECIFICATIONS:

- Safe Working Load (SWL) 7500kg
- Volume Capacity 3.0 cubic metres
- Unit Weight 1170kg
- Fork Pocket Size 165 x 65mm
- Fork Pocket Centres 535mm
- Painted 'Safety Yellow' enamel

