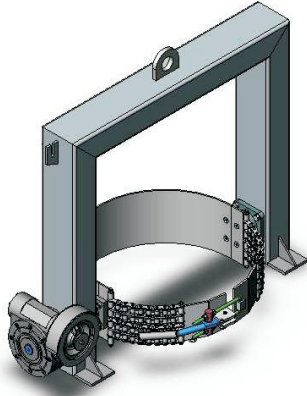


## Type NS-CDR-500C Crane Drum Rotator

The type NS-CDR-500C Crane Drum Rotator has been specifically designed for use by Crane. The Drum is quickly clamped into the holder via the twin Chain Belly Strap allowing 360° rotation.

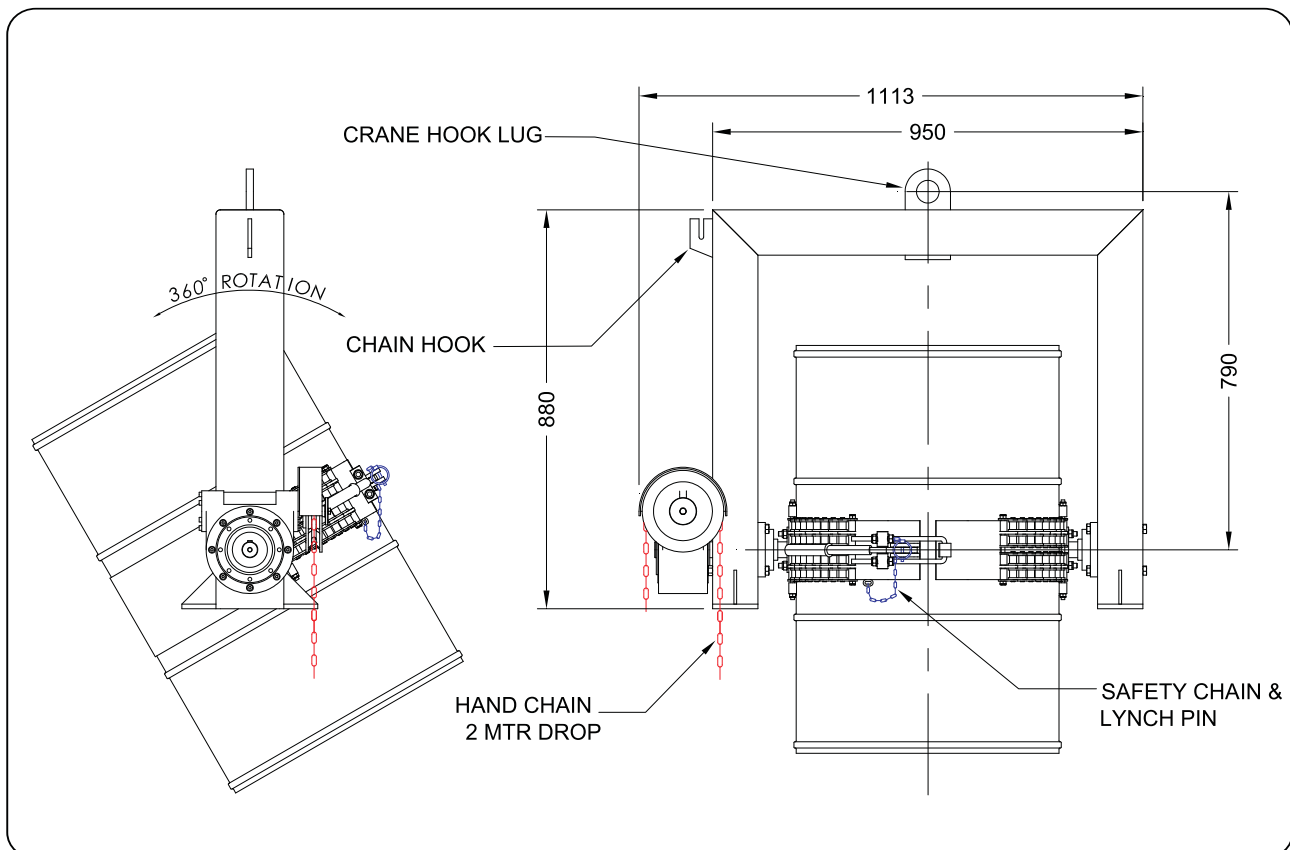
This Unit is also available with a Handle driven gearbox for rotation – type NS-CDR-500H.



(shown without supplied Hand Chain)

### SPECIFICATIONS:

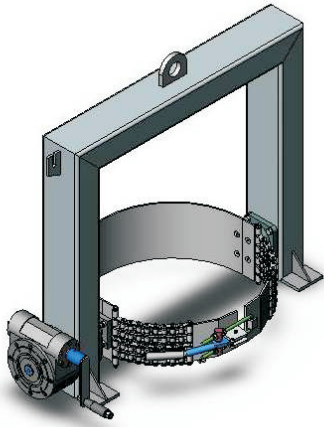
- Safe Working Load (SWL) 500kg
- Unit Weight 120kg
- 360° Rotation
- Centre of Drum to Lifting Eye 790mm



## Type NS-CDR-500H Crane Drum Rotator

The type NS-CDR-500H Crane Drum Rotator has been specifically designed for use by Crane. The Drum is quickly clamped into the holder via the twin Chain Belly Strap allowing 360° rotation.

This Unit is also available with a Chain driven gearbox for rotation – type NS-CDR-500C.



### SPECIFICATIONS:

- Safe Working Load (SWL) 500kg
- Unit Weight 120kg
- 360° Rotation
- Centre of Drum to Lifting Eye 790mm

