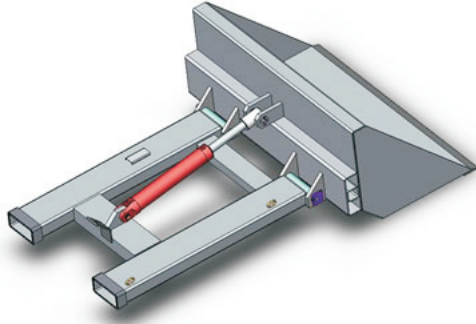


Type NS-DB-H Hydraulic Dirt Bucket

The type NS-DB-H Hydraulic Dirt Bucket is a slip-on attachment allowing quick connection to a Forklift.

The hydraulic operation allows for full backwards tilt making the bucket suitable for liquid products. This bucket has been manufactured with a hardened steel wear edge.



SPECIFICATIONS:

- Pocket size 165 x 65mm
- Pocket Centres 635mm
- Bucket Width 1200mm
- Safe Working Load 500kg
- Unit Weight 145kg
- Volume Capacity 0.22 cu m

