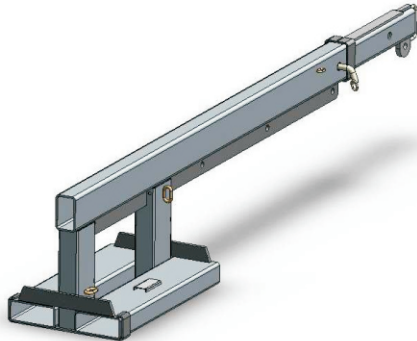


Type NS-FJL2.5 Fixed Jib (Long)

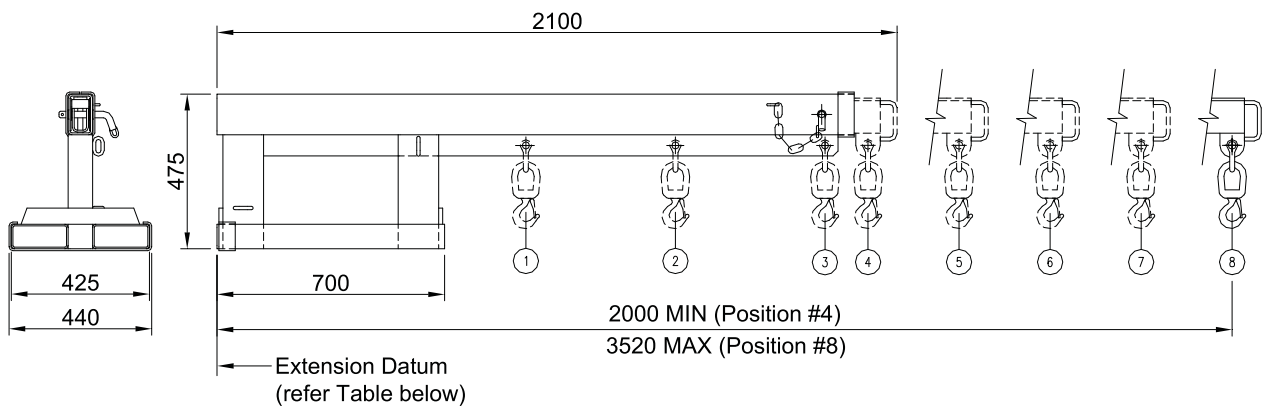
The type NS-FJL2.5 Fixed Jib (Long) is designed as an affordable general purpose Jib with a 3.5 metre reach when fully extended. This slip-on Forklift attachment is held to the Forklift by a safety chain. The Jibs overall length when closed is 2.1 metres.

The standard finish on this unit is Zinc Plated.



SPECIFICATIONS:

- Safe Working Load (SWL) 2500kg Max.
- Unit Weight 130kg
- Load Centre 950mm
- Pocket Size 165 x 65
- Pocket Centres 250 mm
- Horizontal C of G 1400mm
- Vertical C of G 50mm



SAFE WORKING LOADS (SWL) PER POSITION								
POSITION	1	2	3	4	5	6	7	8
EXTENSION (mm)	950	1410	1870	2000	2380	2760	3140	3520
SWL (kg)	2500	2500	1900	1650	1250	650	380	240

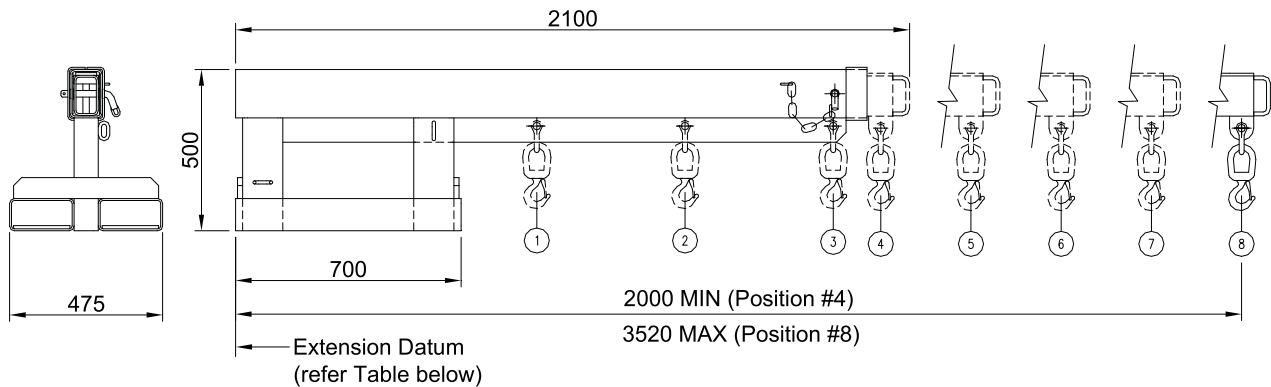
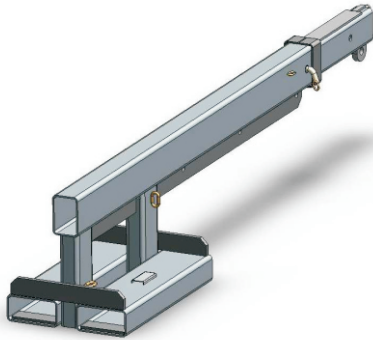
Type NS-FJL5 Fixed Jib (Long)

The type NS-FJL5 Fixed Jib (Long) is designed as an affordable general purpose Jib with a 3.5 metre reach when fully extended. This slip-on Forklift attachment is held to the Forklift by a safety chain. The Jibs overall length when closed is 2.1 metres.

The standard finish on this unit is Galvanised.

SPECIFICATIONS:

- Safe Working Load (SWL) 4750kg Max.
- Unit Weight 170kg
- Load Centre 950mm
- Pocket Size 185 x 75
- Pocket Centres 275 mm
- Horizontal C of G 1400mm
- Vertical C of G 50mm

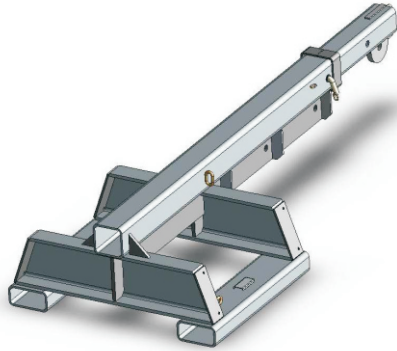


SAFE WORKING LOADS (SWL) PER POSITION

POSITION	1	2	3	4	5	6	7	8
EXTENSION (mm)	935	1395	1855	2000	2380	2760	3140	3520
SWL (kg)	4750	4275	3800	3300	2500	1300	760	480

Type NS-SFJL7.5 Fixed Jib (Long)

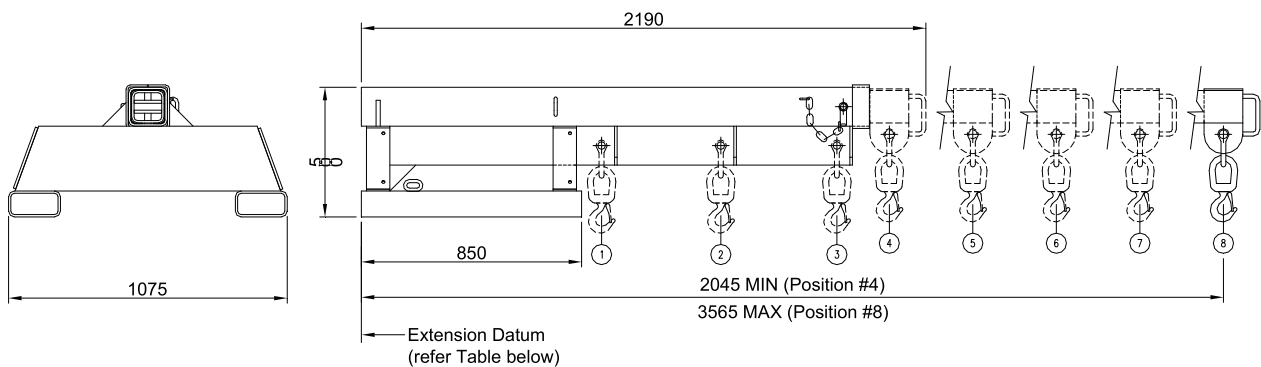
The type NS-SFJL7.5 Fixed Jib (Long) is designed as an affordable general purpose Jib with a 3.56 metre reach when fully extended. This Jib has been designed with wide pockets suitable for Forklifts with special hydraulic tine positioners. This slip-on Forklift attachment is held to the Forklift by a safety chain. The Jibs overall length when closed is 2.19 metres.



The standard finish on this unit is Galvanised.

SPECIFICATIONS:

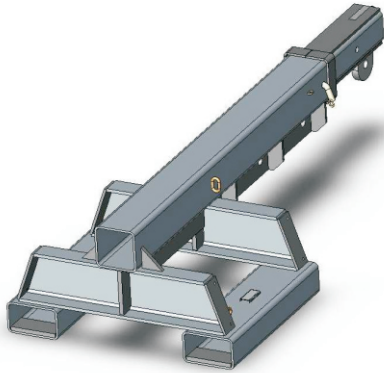
- Safe Working Load (SWL) 7500kg Max.
- Unit Weight 450kg
- Load Centre 950mm
- Pocket Size 180 x 80
- Pocket Centres 875 mm
- Horizontal C of G 1200mm
- Vertical C of G 100mm



SAFE WORKING LOADS (SWL) PER POSITION								
POSITION	1	2	3	4	5	6	7	8
EXTENSION (mm)	930	1385	1835	2045	2425	2805	3185	3565
SWL (kg)	7500	6410	5700	4950	3750	1950	1140	720

Type NS-SFJL10 Fixed Jib (Long)

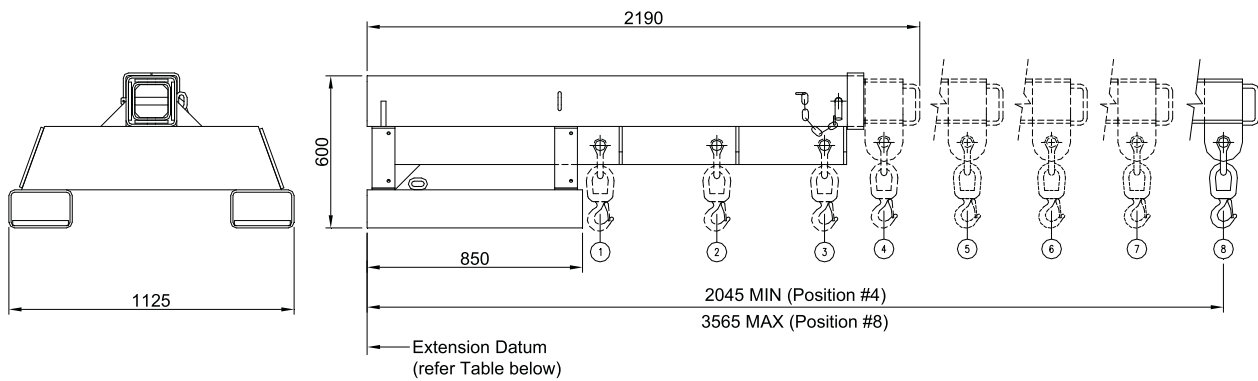
The type NS-SFJL10 Fixed Jib (Long) is designed as an affordable general purpose Jib with a 3.56 metre reach when fully extended. This Jib has been designed with wide pockets suitable for Forklifts with special hydraulic tine positioners. This slip-on Forklift attachment is held to the Forklift by a safety chain. The Jibs overall length when closed is 2.19 metres.



The standard finish on this unit is Galvanised.

SPECIFICATIONS:

- Safe Working Load (SWL) 10,000kg Max.
- Unit Weight 515kg
- Load Centre 950mm
- Pocket Size 230 x 110
- Pocket Centres 875 mm
- Horizontal C of G 1200mm
- Vertical C of G 100mm



SAFE WORKING LOADS (SWL) PER POSITION								
POSITION	1	2	3	4	5	6	7	8
EXTENSION (mm)	920	1380	1805	2045	2425	2805	3185	3565
SWL (kg)	10,000	8550	7600	6600	5000	2600	1520	960