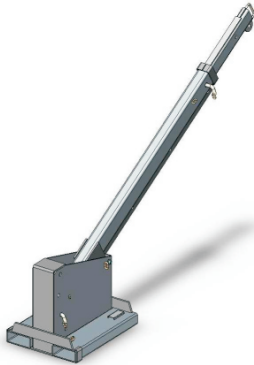


Type NS-TJL2.5 Tilt Jib (Long)

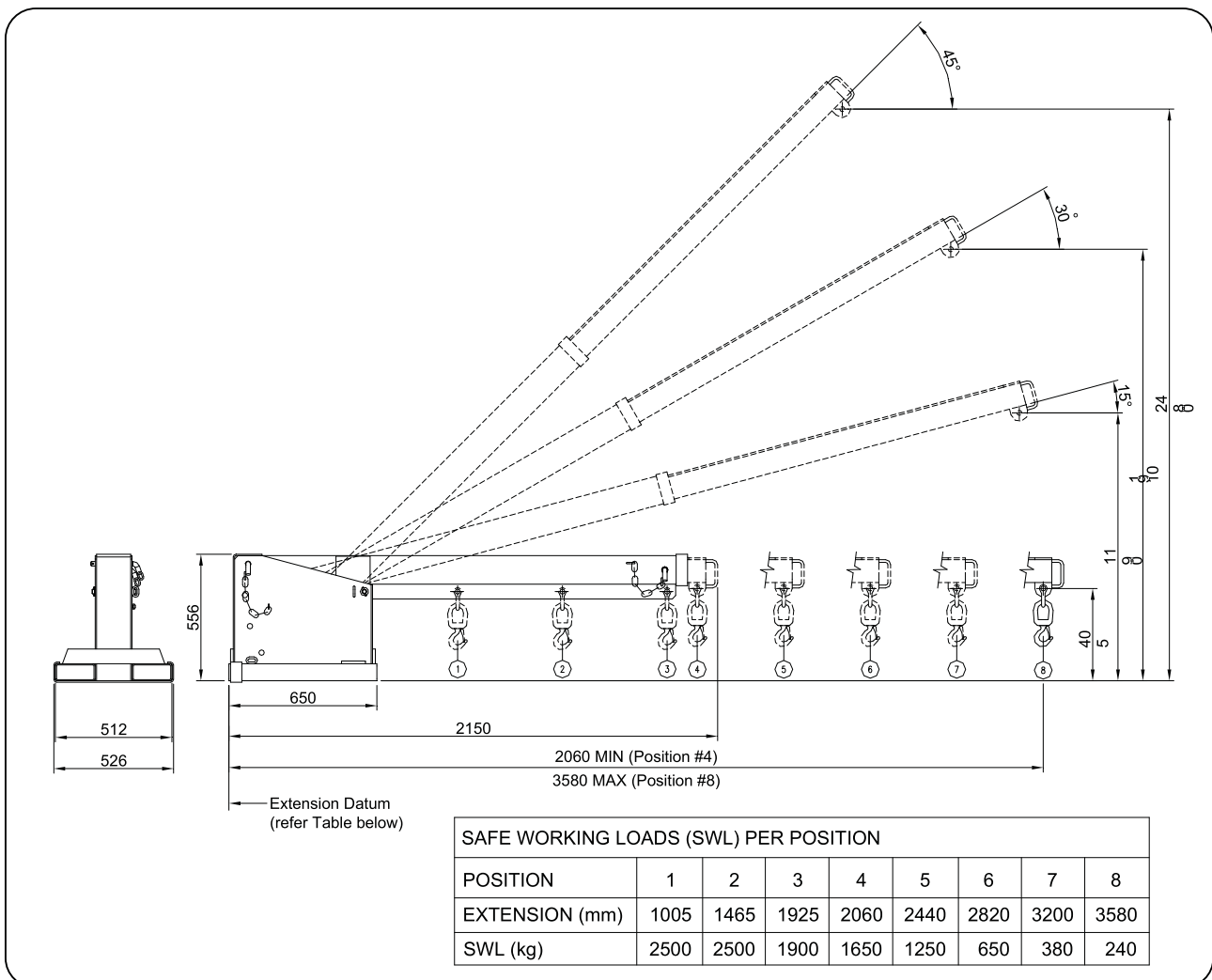
The type NS-TJL2.5 Tilt Jib (Long) is the most versatile Forklift Jib attachment in our range, allowing extra height to 2.48 metres, with a 3.58 metre reach when fully extended. This slip-on attachment is held to the Forklift by a safety chain. The Jibs overall length when closed is 2.15 metres.

The standard finish on this unit is Galvanised.



SPECIFICATIONS:

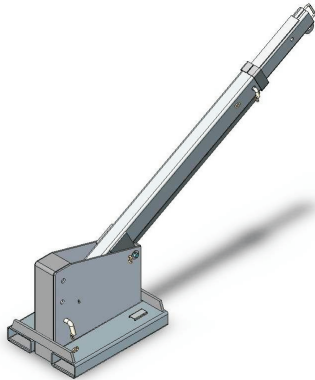
- Safe Working Load (SWL) 2500kg Max.
- Unit Weight 180kg
- Load Centre 1000mm
- Pocket Size 165 x 65
- Pocket Centres 337 mm
- Horizontal C of G 1350mm
- Vertical C of G 400mm



Type NS-TJL5 Tilt Jib (Long)

The type NS-TJL5 Tilt Jib (Long) is the most versatile Forklift Jib attachment in our range, allowing extra height to 2.4 metres, with a 3.59 metre reach when fully extended. This slip-on attachment is held to the Forklift by a safety chain. The Jibs overall length when closed is 2.16 metres.

The standard finish on this unit is galvanised.



SPECIFICATIONS:

- Safe Working Load (SWL) 4750kg Max.
- Unit Weight 240kg
- Load Centre 1000mm
- Pocket Size 185 x 75
- Pocket Centres 370 mm
- Horizontal C of G 1350mm
- Vertical C of G 400mm

