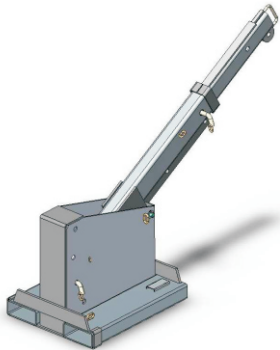


Type NS-TJS2.5 Tilt Jib (Short)

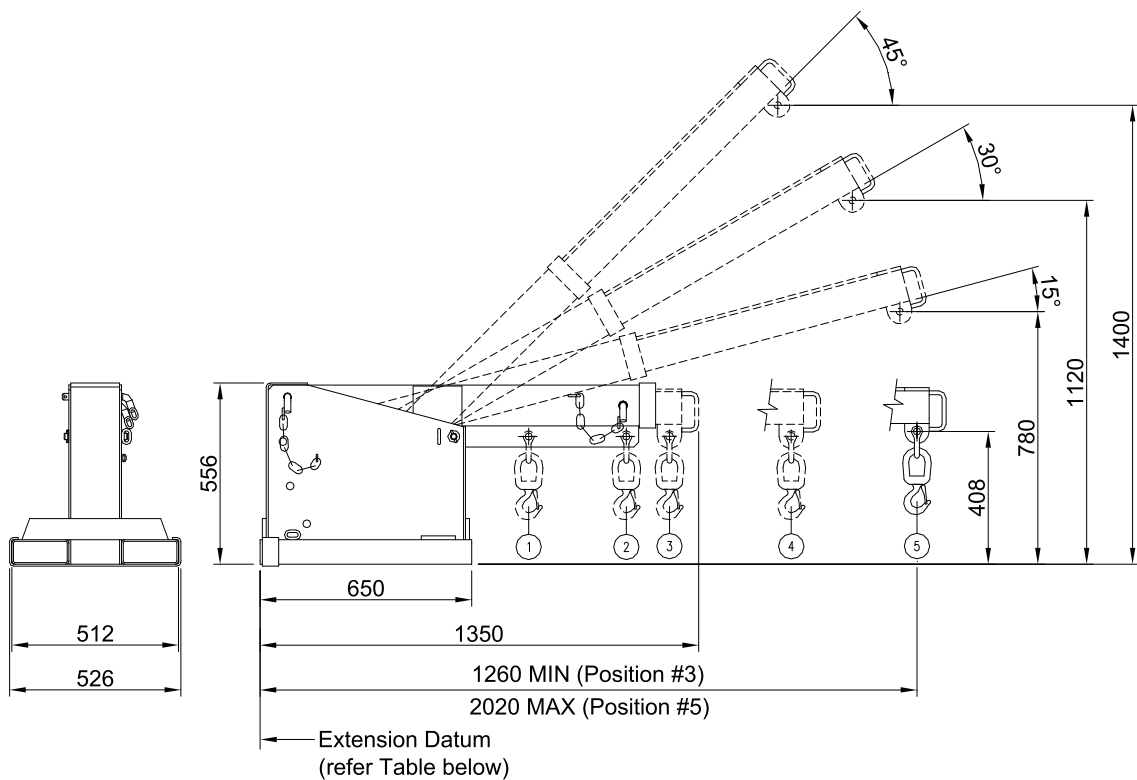
The type NS-TJS2.5 Tilt Jib (Short) is designed with a tilt facility allowing extra height to compensate for the hook and sling length lost when lifting with a Jib attachment. A maximum height of 1.4 metres can be gained while the Jib can be fully extended to 2.02 metres. This slip-on attachment is held to the Forklift by a safety chain. The Jibs overall length when closed is 1.35 metres.



The standard finish on this unit is Galvanised.

SPECIFICATIONS:

- Safe Working Load (SWL) 2500kg Max.
- Unit Weight 130kg
- Load Centre 800mm
- Pocket Size 165 x 65
- Pocket Centres 337 mm
- Horizontal C of G 650mm
- Vertical C of G 300mm



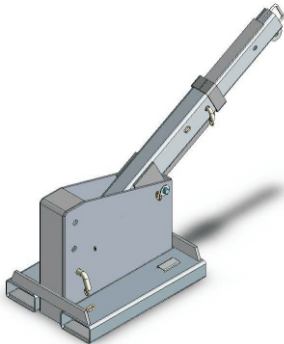
SAFE WORKING LOADS (SWL) PER POSITION

POSITION	1	2	3	4	5
EXTENSION (mm)	825	1125	1260	1640	2020
SWL (kg)	2500	1800	1200	900	750

Type NS-TJS5 Tilt Jib (Short)

The type NS-TJS5 Tilt Jib (Short) is designed with a tilt facility allowing extra height to compensate for the hook and sling length lost when lifting with a Jib attachment. A maximum height of 1.36 metres can be gained while the Jib can be fully extended to 2.03 metres. This slip-on attachment is held to the Forklift by a safety chain. The Jibs overall length when closed is 1.36 metres.

The standard finish on this unit is galvanised.



SPECIFICATIONS:

- Safe Working Load (SWL) 4750kg Max.
- Unit Weight 180kg
- Load Centre 800mm
- Pocket Size 185 x 75
- Pocket Centres 370 mm
- Horizontal C of G 650mm
- Vertical C of G 300mm

