

### NS-FJCL25 Fixed Jib Long Jib Attachment with 2500Kg SWL

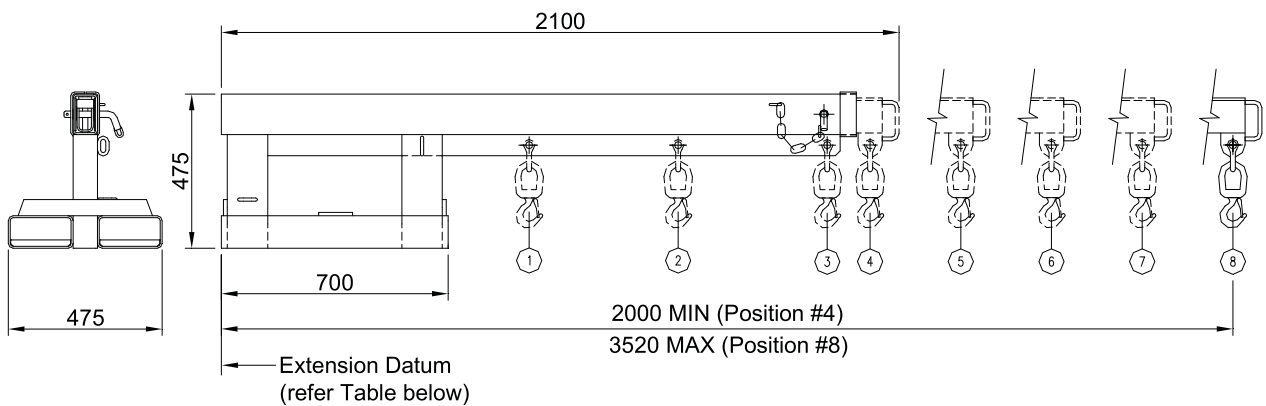
The type NS-FJCL25 Fixed Jib (Long) is designed as an affordable general purpose jib with a 3.5 metre reach when fully extended, allowing for long reach lifts.

Simply slide onto the fork tines and secure with safety chain.



#### SPECIFICATIONS:

- Supplied with safety swivel Hook and Shackle



SAFE WORKING LOADS (SWL) PER POSITION								
POSITION	1	2	3	4	5	6	7	8
EXTENSION (mm)	950	1410	1870	2000	2380	2760	3140	3520
SWL (kg)	2500	2500	1900	1650	1250	650	380	240