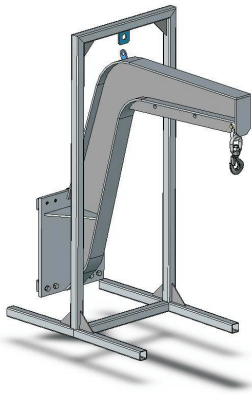


## Type NS-GNJ2.5 Carriage Mounted Jib

The type NS-GNJ2.5 Carriage Mounted Jib is designed for heavy duty applications and offers height and manoeuvrability. This Jib mounts to a standard Class II Forklift carriage and comes with an Optional Support Stand upon request. Three hook positions have been incorporated in its design, with the Safe Working Loads for each position shown in the diagram below.

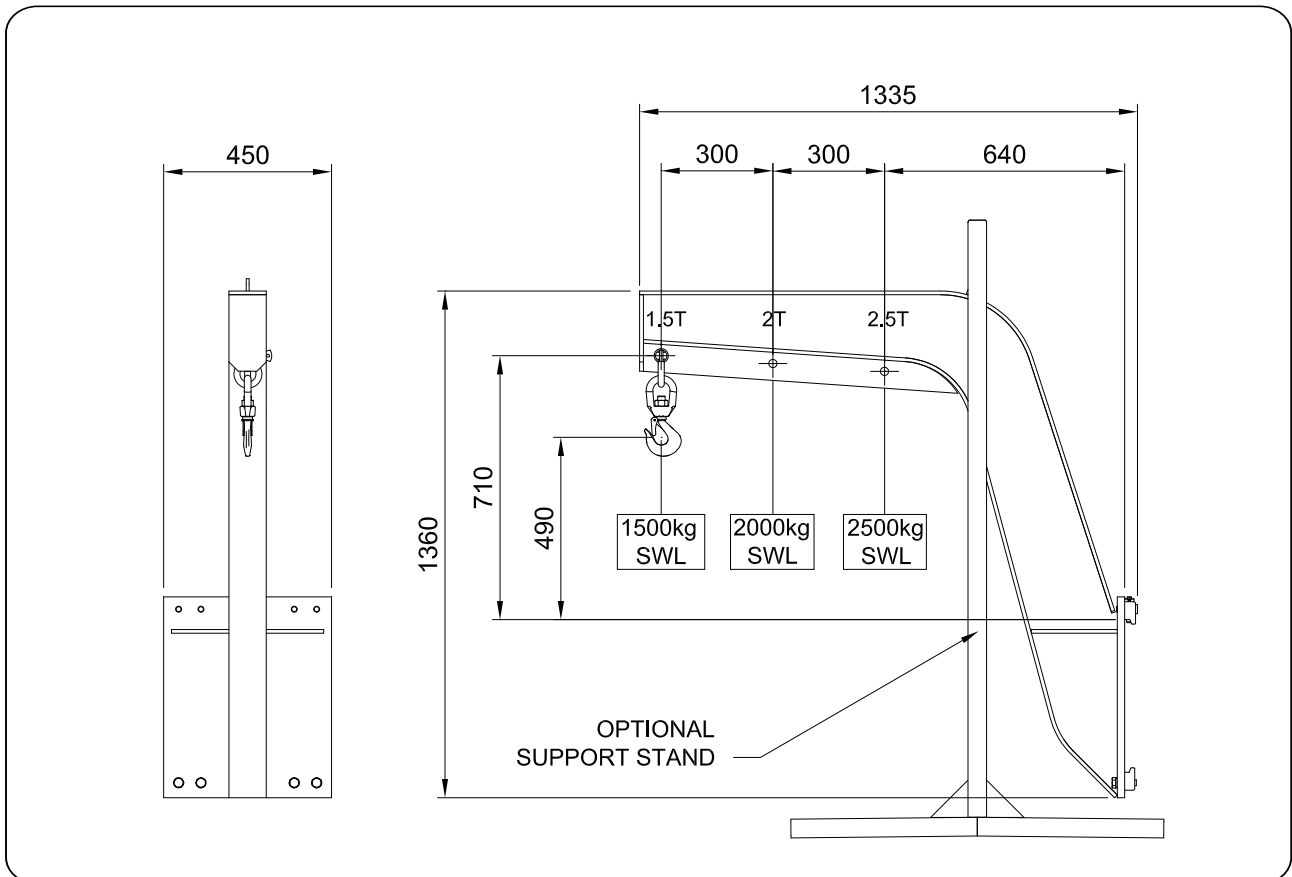
The standard finish on this unit is enamel painted.



(Optional Support Stand shown)

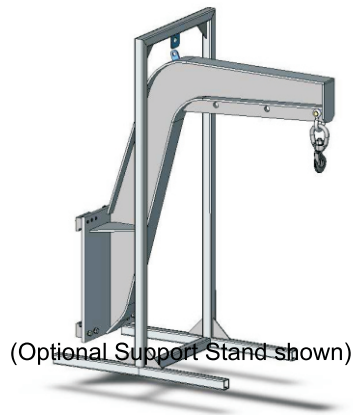
### SPECIFICATIONS:

- Safe Working Load (SWL) 2500kg Max.
- Load Centre (for Max SWL) 640mm
- Unit Weight 130kg
- Carriage Mounting Class II
- Horizontal C of G 330mm
- Vertical C of G 685mm



## Type NS-GNJ4.5 Carriage Mounted Jib

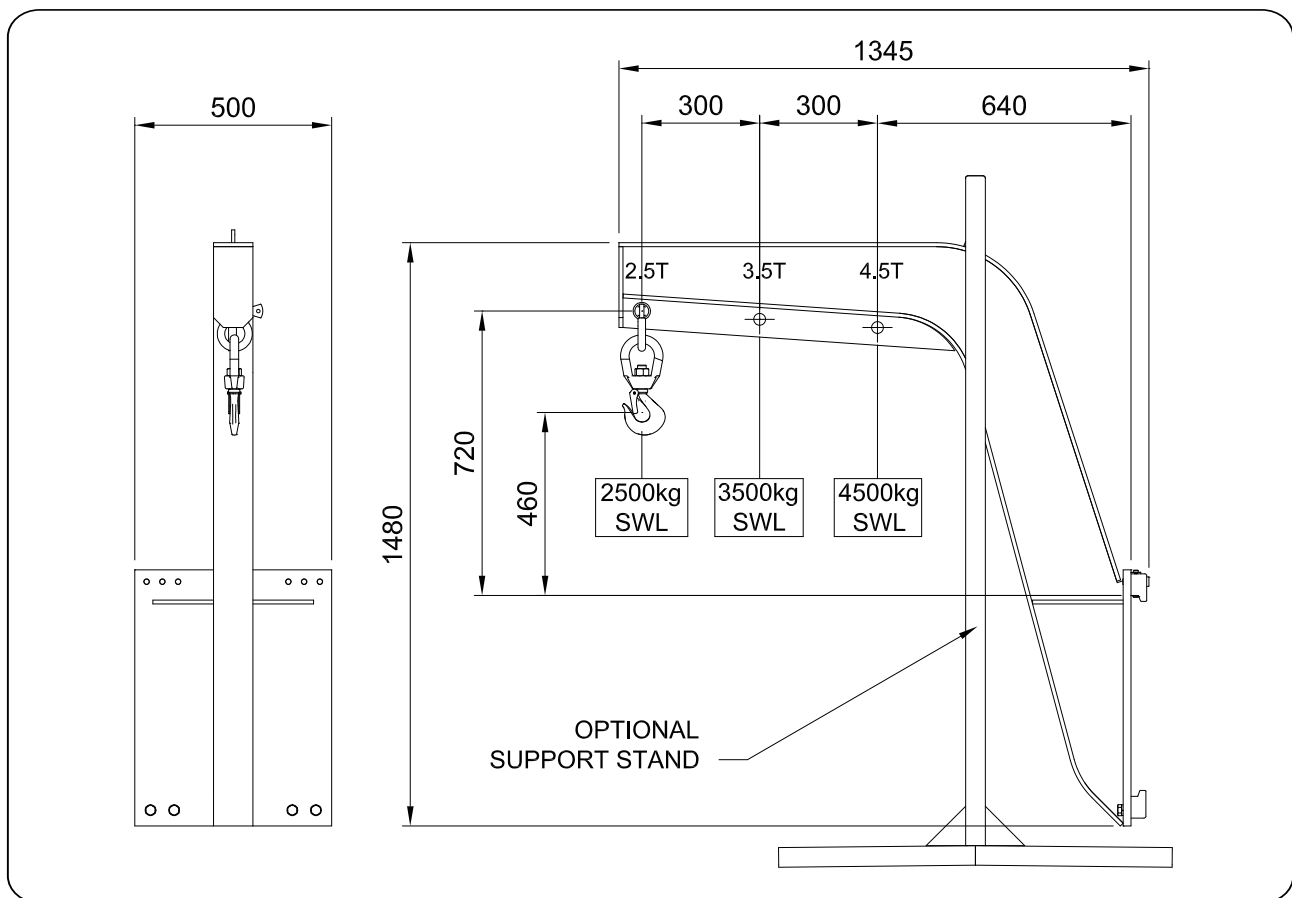
The type NS-GNJ4.5 Carriage Mounted Jib is designed for heavy duty applications and offers height and manoeuvrability. This Jib mounts to a standard Class III Forklift carriage and comes with an Optional Support Stand upon request. Three hook positions have been incorporated in its design, with the Safe Working Loads for each position shown in the diagram below.



The standard finish on this unit is enamel painted.

### SPECIFICATIONS:

- Safe Working Load (SWL) 4500kg Max.
- Load Centre (for Max SWL) 640mm
- Unit Weight 150kg
- Carriage Mounting Class III
- Horizontal C of G 255mm
- Vertical C of G 685mm



## Type NS-GNJ2.5 Carriage Mounted Jib

The type NS-GNJ2.5 Carriage Mounted Jib is designed for heavy duty applications and offers height and manoeuvrability. This Jib mounts to a standard Class II Forklift carriage and comes with an Optional Support Stand upon request. Three hook positions have been incorporated in its design, with the Safe Working Loads for each position shown in the diagram below.

The standard finish on this unit is enamel painted.



(Optional Support Stand shown)

### SPECIFICATIONS:

- Safe Working Load (SWL) 2500kg Max.
- Load Centre (for Max SWL) 640mm
- Unit Weight 130kg
- Carriage Mounting Class II
- Horizontal C of G 330mm
- Vertical C of G 685mm

