

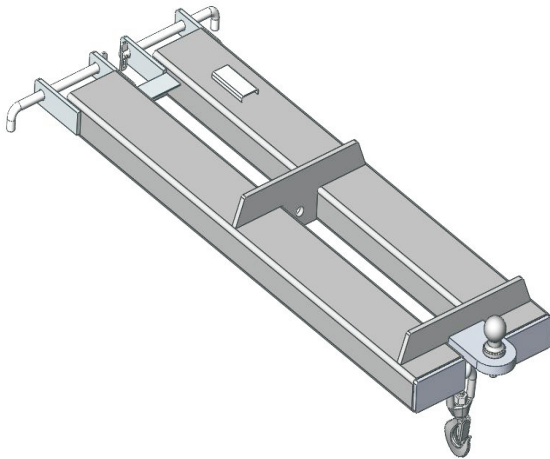
NS-FJ-TOW Forklift Tow Jib Attachment

The type NS-FST200 Forklift Slip-on Jib has been designed as a simple Slip-on Jib attachment with 2 hook positions 585mm apart and a 50 Tow Ball fitted at the front of the Jib. Both hook positions have a WLL of 2000kg – refer diagram below.

When using the Tow Bar, the Tow weight is not to exceed 500kg and the minimum capacity of the Forklift is to be 2 Tonne.

The Unit is supplied with 2 Fork Arm Retaining Toggle Pins to prevent the Jib from moving off the Fork Arm.

The Standard Finish on the Type FST200 Forklift Slip-On Jib is Zinc Plated



SPECIFICATIONS:

- Working Load Limit (WLL) 2000kg
- Maximum Towing Capacity 500kg
- Unit Weight 45kg
- Load Centre 1160mm
- Pocket Size 140 x 65
- Pocket Centres 250 mm
- Horizontal C of G 655mm
- Vertical C of G -30mm

