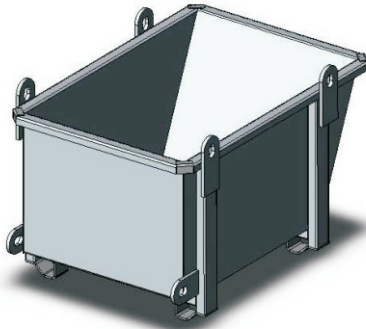


Type NS-CPB6 Compact Bin

The type NS-CPB6 Compact Bin is a compact, heavy duty stackable bin ideal for use around machine shops and foundries for component storage. Manufactured with 3mm plate, this bin is easily moved by Crane or Forklift.

The Bin comes standard with 6 crane lugs and feet to allow bins to be stackable. Wheels may be fitted as an option (refer separate Product Specification sheet), and a lid may also be supplied as an optional extra.



SPECIFICATIONS:

- Safe Working Load (SWL) 1000kg
- Unit Weight 80kg
- Volume Capacity 0.23 cu m
- Overall Size 1000 x 680 x 570mm
- Available Painted or Galvanised
- Wheels as an Option
- Lid as Optional extra

Refer separate Product Specification sheet 'Type NS-CPB6 Compact Bin with Wheels' for Wheels Option

