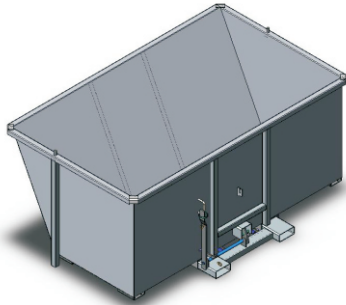


## Type NS-JTU-18 Heavy Duty Tip-Up Bin

The type NS-JTU-18 Heavy Duty Tip-Up Bin has been manufactured from 3mm plate with welded strengthening ribs and has been designed with large capacity for bulk waste. The bin, having a forward Centre of Gravity, tips automatically when the release mechanism is activated by the Forklift operator pulling the pull chord from the driver's seat. Powerful shock absorbers prevent impact forces being transmitted to the Forklift mast during emptying. After emptying, lower the bin to ground level and reverse away to automatically close and lock bin in its horizontal position.

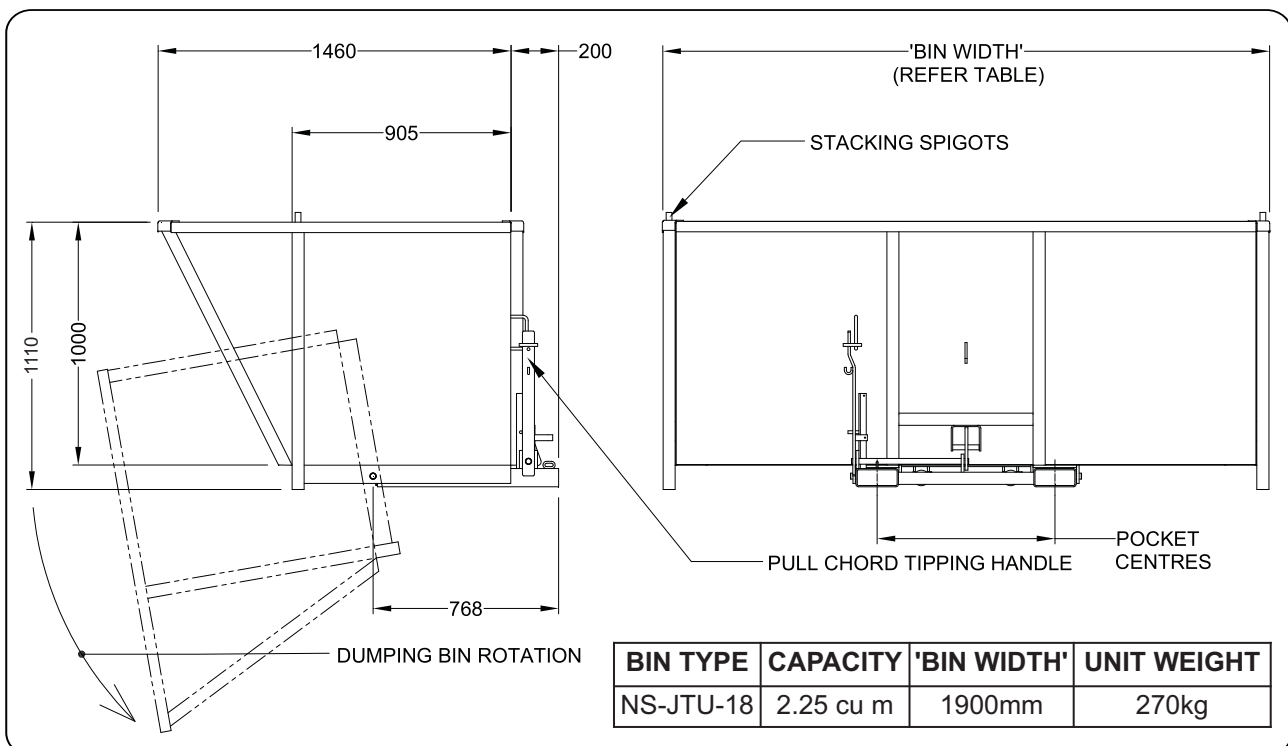


(Type NS-JTU-18 standard model shown)  
Refer 'NS-JTU\_WL\_Sales' Product Specification sheet for Wheels & Crane Lug options.

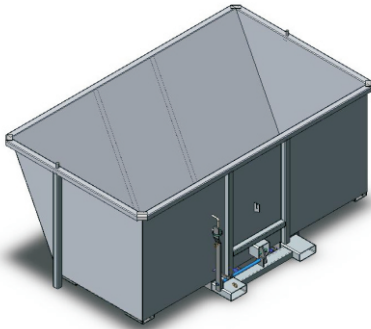
The type NS-JTU-18 Heavy Duty Tip-Up Bins are available in either enamel painted over primed steel or H.D. Galvanised finish.

### SPECIFICATIONS:

- Pocket size 165 x 65mm
- Pocket Centres – 735mm
- Safe Working Load 1000kg
- Unit Weight – 270kg
- Volume Capacity – 2.25cu m
- HCG 800mm
- VCG 500mm
- Wheels, Crane Lugs & Lid Optional
- Plastic Lid Optional (for JTU-18 only)
- Drain Valve & Strainer Optional
- Hydraulic Option available



## Type NS-JTU-24 Heavy Duty Tip-Up Bin



(Type NS-JTU-24 standard model shown)  
Refer 'NS-JTU\_WL\_Sales' Product Specification sheet  
for Wheels & Crane Lug options.

The type NS-JTU-24 Heavy Duty Tip-Up Bin has been manufactured from 3mm plate with welded strengthening ribs and has been designed with large capacity for bulk waste. The bin, having a forward Centre of Gravity, tips automatically when the release mechanism is activated by the Forklift operator pulling the pull chord from the driver's seat. Powerful shock absorbers prevent impact forces being transmitted to the Forklift mast during emptying. After emptying, lower the bin to ground level and reverse away to automatically close and lock bin in its horizontal position.

The type NS-JTU-24 Heavy Duty Tip-Up Bins are available in either enamel painted over primed steel or H.D. Galvanised finish.

### SPECIFICATIONS:

- Pocket size 165 x 65mm
- Pocket Centres – 735mm
- Safe Working Load 1000kg
- Unit Weight – 310kg
- Volume Capacity – 3.00cu m
- HCG 800mm
- VCG 500mm
- Wheels, Crane Lugs & Lid Optional
- Plastic Lid Optional (for JTU-18 only)
- Drain Valve & Strainer Optional
- Hydraulic Option available

Type NS-JTU-24 Heavy Duty Tip-Up Bin		
Product Price :	Painted	\$2,756.00
	Galvanized	\$3,192.00
Shipping Price		
Sydney		\$65.00
Brisbane		\$535.00
Melbourne		\$375.00
Adelaide		\$710.00
Perth		\$938.00
*All prices are GST exclusive		

