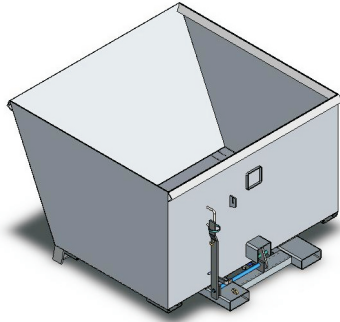


## Type NS-NTU-6 Heavy Duty Tip-Up Bin

The type NS-NTU-6 Heavy Duty Tip-Up Bin has been manufactured from 3mm plate and designed with fully reinforced edges. These Bins are ideally suited to heavy waste including metal, timber and building site rubble. The release mechanism is activated by the Forklift operator pulling the pull chord from the drivers seat. The custom built shock absorber prevents impact forces being transmitted to the Forklift during emptying.

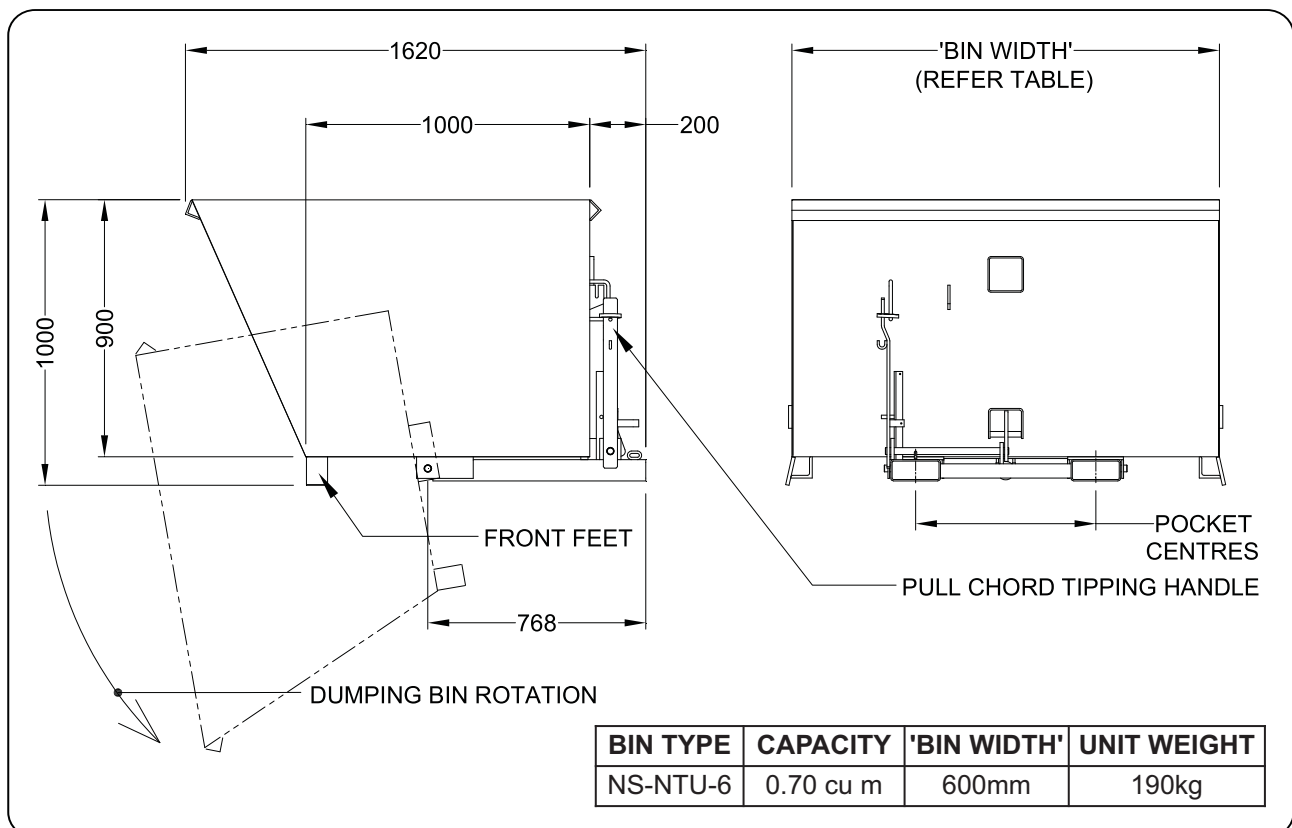
All type NS-NTU bins have a Safe Working Load of 1000kg and range in sizes from 0.7–2.0 cubic metre capacities. These bins are available in either enamel painted over primed steel or H.D. Galvanised finish.



Refer 'NS-NTU\_WL\_Sales' Product Specification sheet for Wheels & Crane Lug options.

### SPECIFICATIONS:

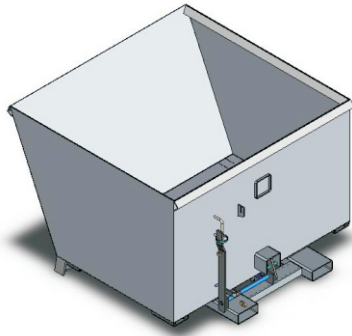
- Pocket size 165 x 65mm
- Pocket Centres – 405mm
- Safe Working Load 1000kg
- Unit Weight – 190kg
- Volume Capacity – 0.70 cu m
- HCG 800mm
- VCG 400mm
- Wheels, Crane Lugs & Lid Optional
- Drain Valve & Strainer Optional
- Hydraulic Option available



## Type NS-NTU-9 Heavy Duty Tip-Up Bin

The type NS-NTU-9 Heavy Duty Tip-Up Bin has been manufactured from 3mm plate and designed with fully reinforced edges. These Bins are ideally suited to heavy waste including metal, timber and building site rubble. The release mechanism is activated by the Forklift operator pulling the pull chord from the drivers seat. The custom built shock absorber prevents impact forces being transmitted to the Forklift during emptying.

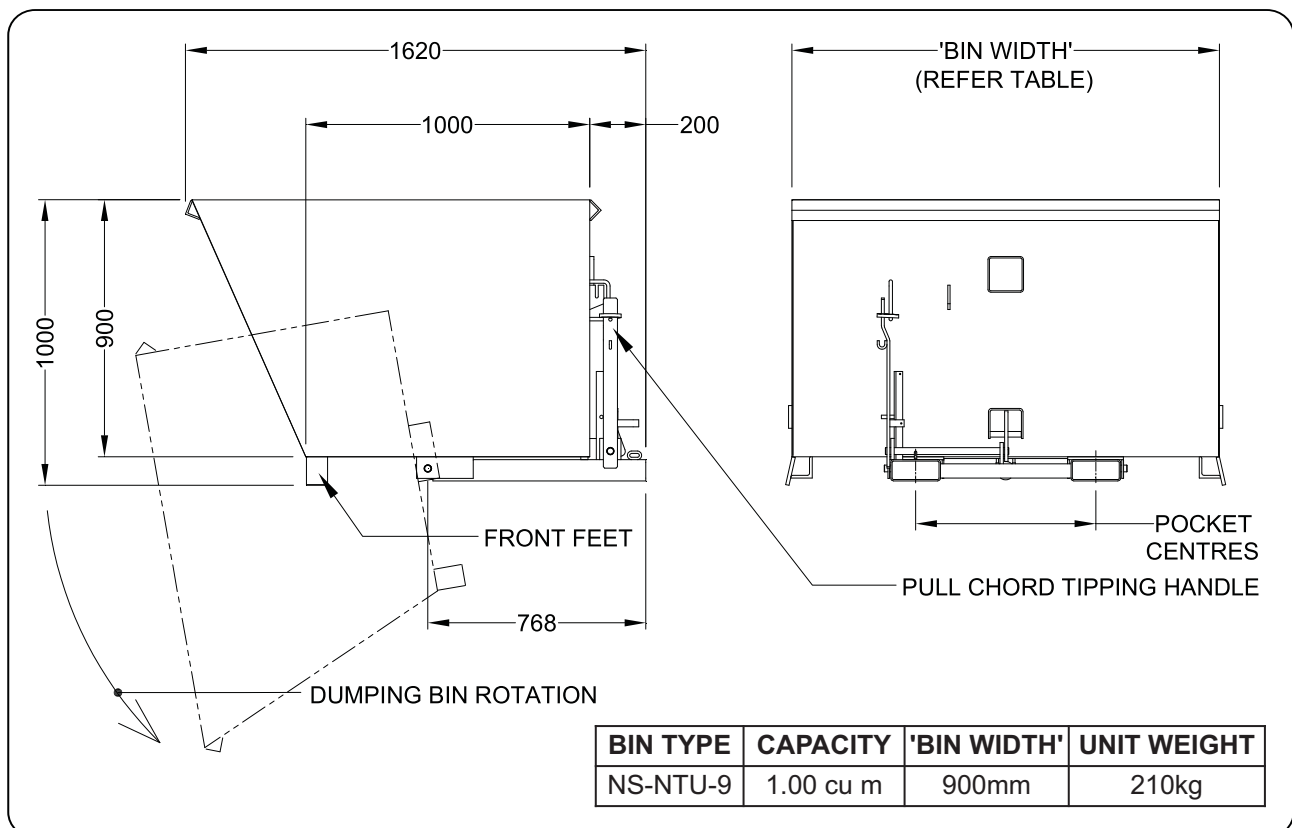
All type NS-NTU bins have a Safe Working Load of 1000kg and range in sizes from 0.7 – 2.0 cubic metre capacities. These bins are available in either enamel painted over primed steel or H.D. Galvanised finish.



Refer 'NS-NTU\_WL\_Sales' Product Specification sheet for Wheels & Crane Lug options.

### SPECIFICATIONS:

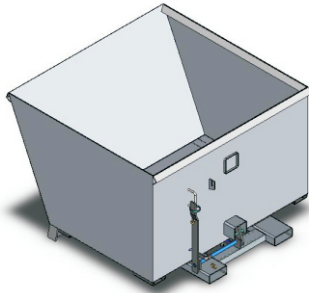
- Pocket size 165 x 65mm
- Pocket Centres – 635mm
- Safe Working Load 1000kg
- Unit Weight – 210kg
- Volume Capacity – 1.00cu m
- HCG 800mm
- VCG 400mm
- Wheels, Crane Lugs & Lid Optional
- Drain Valve & Strainer Optional
- Hydraulic Option available



## Type NS-NTU-12 Heavy Duty Tip-Up Bin

The type NS-NTU-12 Heavy Duty Tip-Up Bin has been manufactured from 3mm plate and designed with fully reinforced edges. These Bins are ideally suited to heavy waste including metal, timber and building site rubble. The release mechanism is activated by the Forklift operator pulling the pull chord from the drivers seat. The custom built shock absorber prevents impact forces being transmitted to the Forklift during emptying.

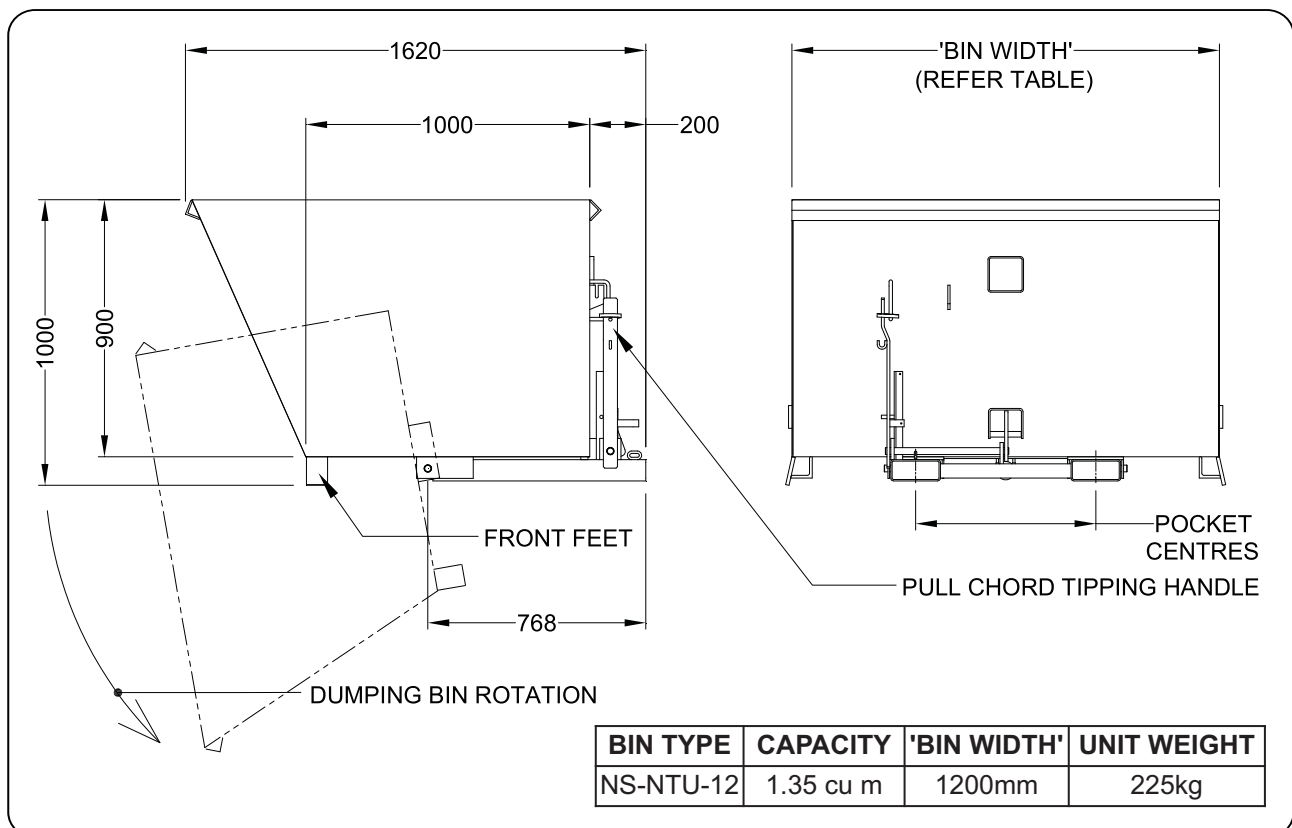
All type NS-NTU bins have a Safe Working Load of 1000kg and range in sizes from 0.7 – 2.0 cubic metre capacities. These bins are available in either enamel painted over primed steel or H.D. Galvanised finish.



Refer 'NS-NTU\_WL\_Sales' Product Specification sheet for Wheels & Crane Lug options.

### SPECIFICATIONS:

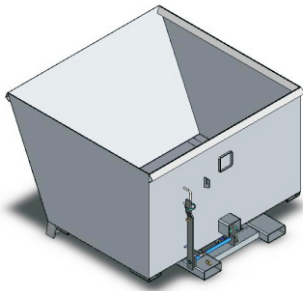
- Pocket size 165 x 65mm
- Pocket Centres – 635mm
- Safe Working Load 1000kg
- Unit Weight – 225kg
- Volume Capacity – 1.35cu m
- HCG 800mm
- VCG 400mm
- Wheels, Crane Lugs & Lid Optional
- Drain Valve & Strainer Optional
- Hydraulic Option available



## Type NS-NTU-18 Heavy Duty Tip-Up Bin

The type NS-NTU-18 Heavy Duty Tip-Up Bin has been manufactured from 3mm plate and designed with fully reinforced edges. These Bins are ideally suited to heavy waste including metal, timber and building site rubble. The release mechanism is activated by the Forklift operator pulling the pull chord from the drivers seat. The custom built shock absorber prevents impact forces being transmitted to the Forklift during emptying.

All type NS-NTU bins have a Safe Working Load of 1000kg and range in sizes from 0.7 – 2.0 cubic metre capacities. These bins are available in either enamel painted over primed steel or H.D. Galvanised finish.



Refer 'NS-NTU\_WL\_Sales' Product Specification sheet for Wheels & Crane Lug options.

### SPECIFICATIONS:

- Pocket size 165 x 65mm
- Pocket Centres – 635mm (NTU6 – 405mm)
- Safe Working Load 1000kg
- Unit Weight – 280kg
- Volume Capacity – 2.00cu m
- HCG 800mm
- VCG 400mm
- Wheels, Crane Lugs & Lid Optional
- Drain Valve & Strainer Optional
- Hydraulic Option available

