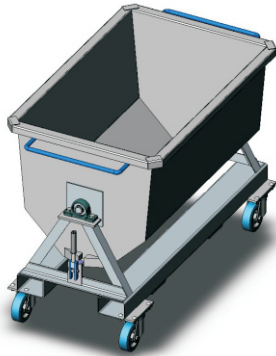


## Type NS-SROB 9 Sideways Roll Over Bin

The type NS-SROB 9 Sideways Roll Over Bin has been designed to tip in either direction. Side bearings prevent the bin being dislodged during tipping as is common with the roll over style bins. Fork Pockets are provided for end or sideways lifting and tipping. This bin is ideally suited to the food industry.

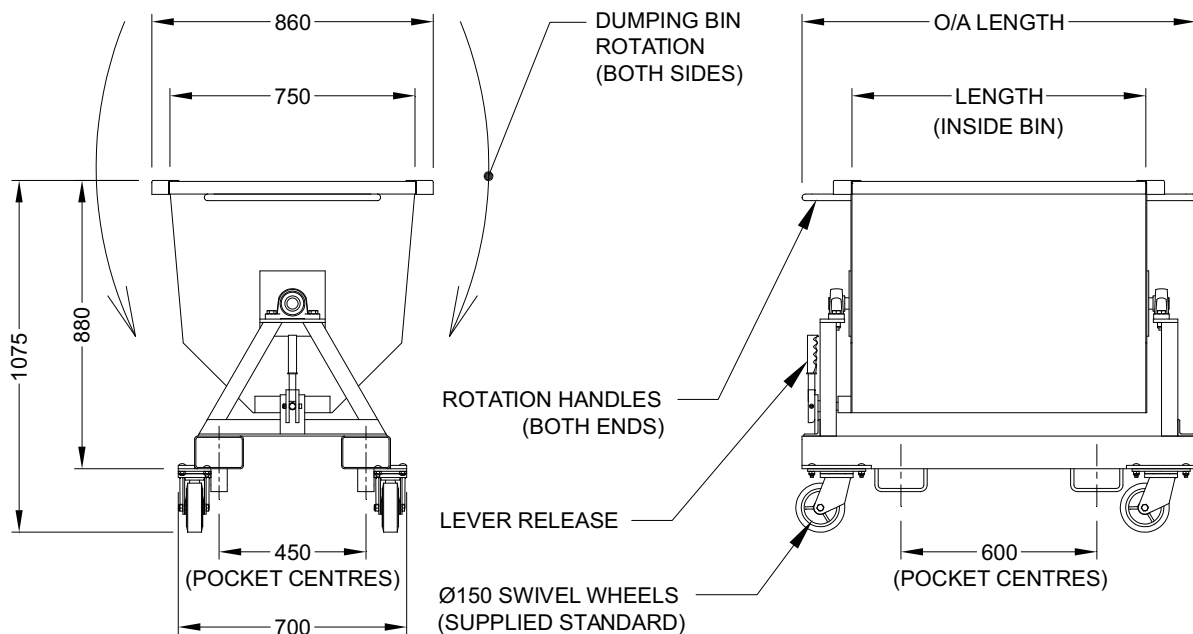
These bins are available in either enamel painted or Galvanised finish. Stainless Steel is also available on request. Ø150 front & rear swivel Wheels are supplied standard.



(Type NS-SROB 9 shown)

### SPECIFICATIONS:

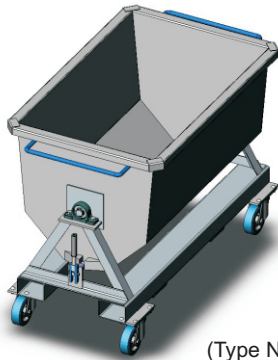
- Safe Working Load 600kg
- Unit Weight – 150kg
- Volume Capacity – 450 litres
- Pocket size 140 x 60mm
- End Pocket Centres – 450mm
- Side Pocket Centres – 600mm
- Crane Lugs Optional
- Drain Valve & Strainer Optional



BIN TYPE	CAPACITY	'LENGTH'	'O/A LENGTH'	*UNIT WEIGHT
NS-SROB 9	450 litres	900mm	1200mm	150kg

\* NOTE: 'Unit Weight' includes Weight of WHEELS.

## Type NS-SROB 12 Sideways Roll Over Bin



(Type NS-SROB 12 shown)

The type NS-SROB 12 Sideways Roll Over Bin has been designed to tip in either direction. Side bearings prevent the bin being dislodged during tipping as is common with the roll over style bins. Fork Pockets are provided for end or sideways lifting and tipping. This bin is ideally suited to the food industry.

These bins are available in either enamel painted or Galvanised finish. Stainless Steel is also available on request. Ø150 front & rear swivel Wheels are supplied standard.

### SPECIFICATIONS:

- Safe Working Load 600kg
- Unit Weight – 170kg
- Volume Capacity – 600 litres
- Pocket size 140 x 60mm
- End Pocket Centres – 450mm
- Side Pocket Centres – 600mm
- Crane Lugs Optional
- Drain Valve & Strainer Optional

Type NS-SROB 12 Sideways Roll Over Bin		
Product Price :	Painted	\$2,140.00
	Galvanized	\$2,344.00
Shipping Price		
	Sydney	\$65.00
	Brisbane	\$207.00
	Melbourne	\$153.00
	Adelaide	\$266.00
	Perth	\$343.00
*All prices are GST exclusive		

