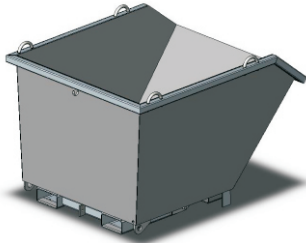


## Type NS-CSD9 Tipping Bin

The economical type NS-CSD9 Tipping Bin is a self dumping bin suitable for most waste handling applications. Being a nesting bin, it uses minimum of space for storage and transport.

This bin is supplied standard with 4 crane lugs and upending lugs. It is also fitted with drain plug and heel brackets (wheels not supplied unless ordered).

The type NS-CSD9 Tipping Bins are available in either enamel painted or Galvanised finish.

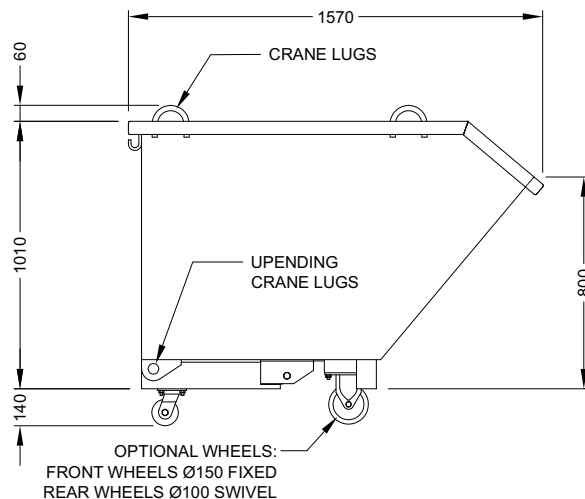
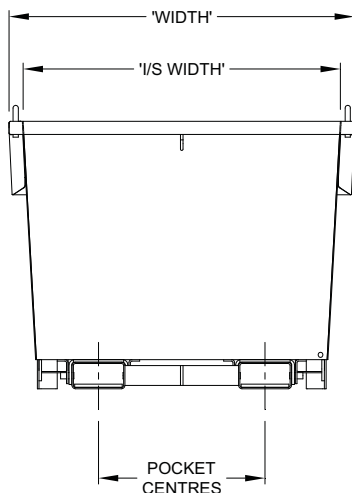
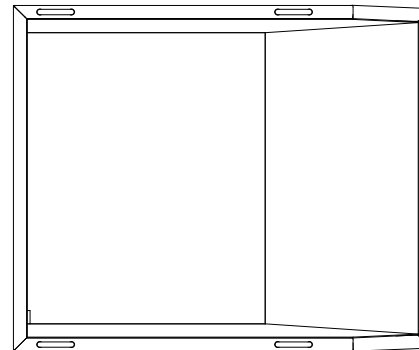


### SPECIFICATIONS:

- Safe Working Load 1500kg
- Unit Weight – 180 kg
- Volume Capacity – 3.2 cu m
- Pocket size 185 x 75mm
- CSD9 Pocket Centres – 340mm
- CSD12 Pocket Centres – 630mm
- HCG 550mm
- VCG 340mm
- Wheels Optional
- Drain Valve & Strainer Optional

BIN Type	Capacity	'1/S' Width	'Width'	Unit Weight
NS-CSD9	3.2cu m	900mm	1010mm	*180kg

\* NOTE: UNITS WITH OPTIONAL WHEELS - ADD 18 kg

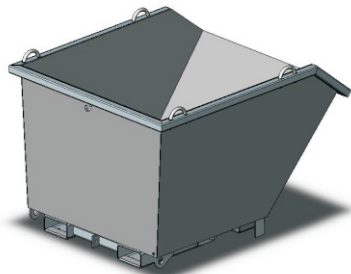


## Type NS-CSD12 Tipping Bin

The economical type NS-CSD12 Tipping Bin is a self dumping bin suitable for most waste handling applications. Being a nesting bin, it uses minimum of space for storage and transport.

This bin is supplied standard with 4 crane lugs and upending lugs. It is also fitted with drain plug and heel brackets (wheels not supplied unless ordered).

The type NS-CSD12 Tipping Bins are available in either enamel painted or Galvanised finish.



(Type NS-CSD12 standard model shown)

### SPECIFICATIONS:

- Safe Working Load 1500kg
- Unit Weight – 205 kg
- Volume Capacity – 4.3 cu m
- Pocket size 185 x 75mm
- CSD9 Pocket Centres – 340mm
- CSD12 Pocket Centres – 630mm
- HCG 550mm
- VCG 340mm
- Wheels Optional
- Drain Valve & Strainer Optional

BIN Type	Capacity	'I/S' Width	'Width'	Unit Weight
NS-CSD12	4.3cu m	1200mm	1310mm	*205kg

\* NOTE: UNITS WITH OPTIONAL WHEELS - ADD 18 kg

