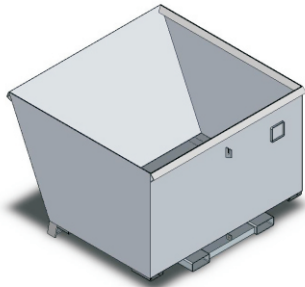


Type NS-NSD-6 Self Dumping Bin

The type NS-NSD-6 Self Dumping Bin has been designed to provide an economical solution to collecting and disposing of industrial waste. Collection can be carried out at the point of manufacture. When transporting the bin to the discharge point, the Forklift tines are positioned fully under the bin utilising the Forklifts maximum lift capacity. To tip the bin, the Operator catches the bin on the edge of the bulk container and reverses the Forklift. When the tines clear the pivot point, raising the bin will permit a complete discharge of contents.

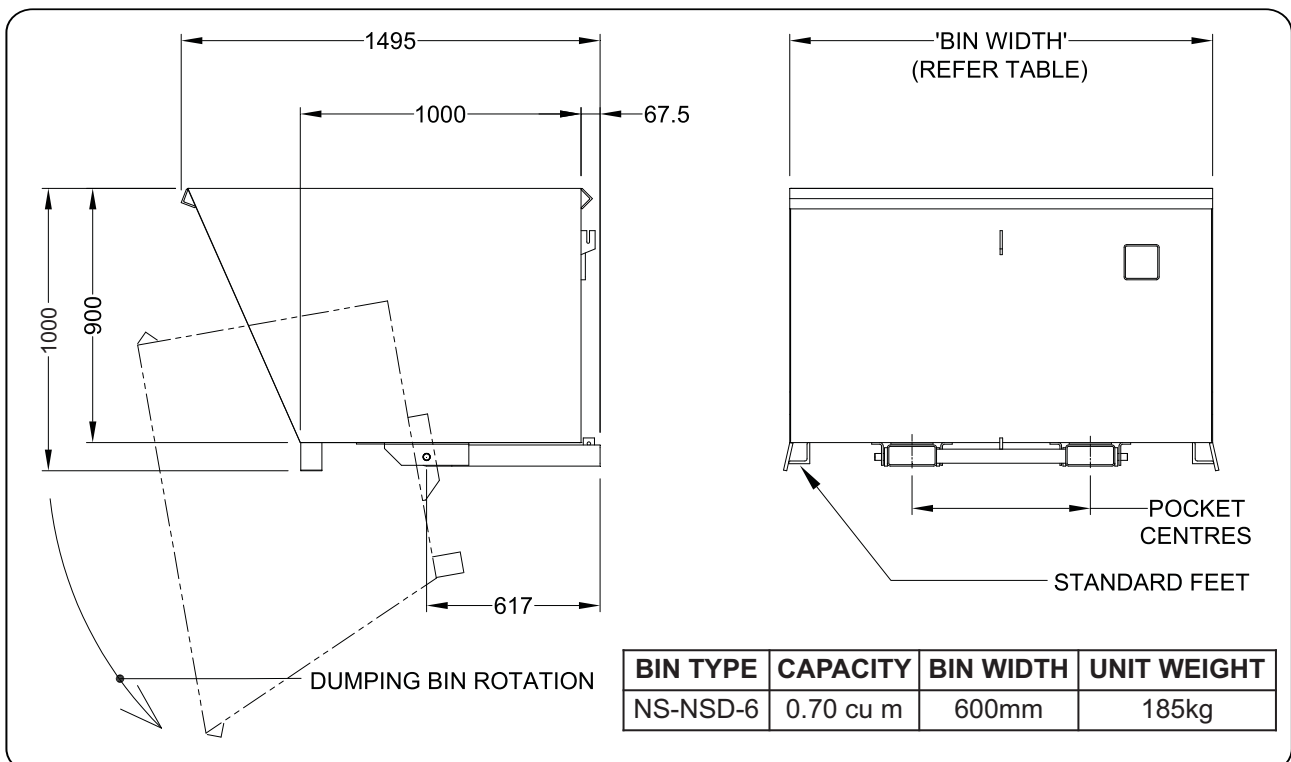


(Type NS-NSD15 standard model shown)
Refer 'NS-NSD_WL_Sales' Product Specification sheet
for Wheels & Crane Lug options.

All type NS-NSD bins have reinforced edging, a Safe Working Load of 1000kg and range in sizes from 0.7 – 2.0 cubic metre capacities. These bins are available in either enamel painted over primed steel or H.D. Galvanised finish.

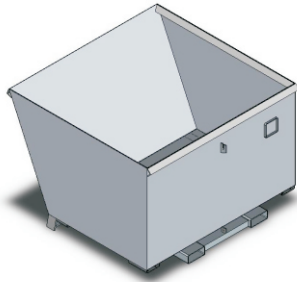
SPECIFICATIONS:

- Pocket size 165 x 65mm
- Pocket Centres – 635mm (NSD6 – 381mm)
- Safe Working Load 1000kg
- Unit Weight – refer Table
- Volume Capacity – refer Table
- HCG 750mm
- VCG 400mm
- Wheels, Crane Lugs & Lid Optional
- Drain Valve & Strainer Optional



Type NS-NSD-9 Self Dumping Bin

The type NS-NSD-9 Self Dumping Bin has been designed to provide an economical solution to collecting and disposing of industrial waste. Collection can be carried out at the point of manufacture. When transporting the bin to the discharge point, the Forklift tines are positioned fully under the bin utilising the Forklifts maximum lift capacity. To tip the bin, the Operator catches the bin on the edge of the bulk container and reverses the Forklift. When the tines clear the pivot point, raising the bin will permit a complete discharge of contents.

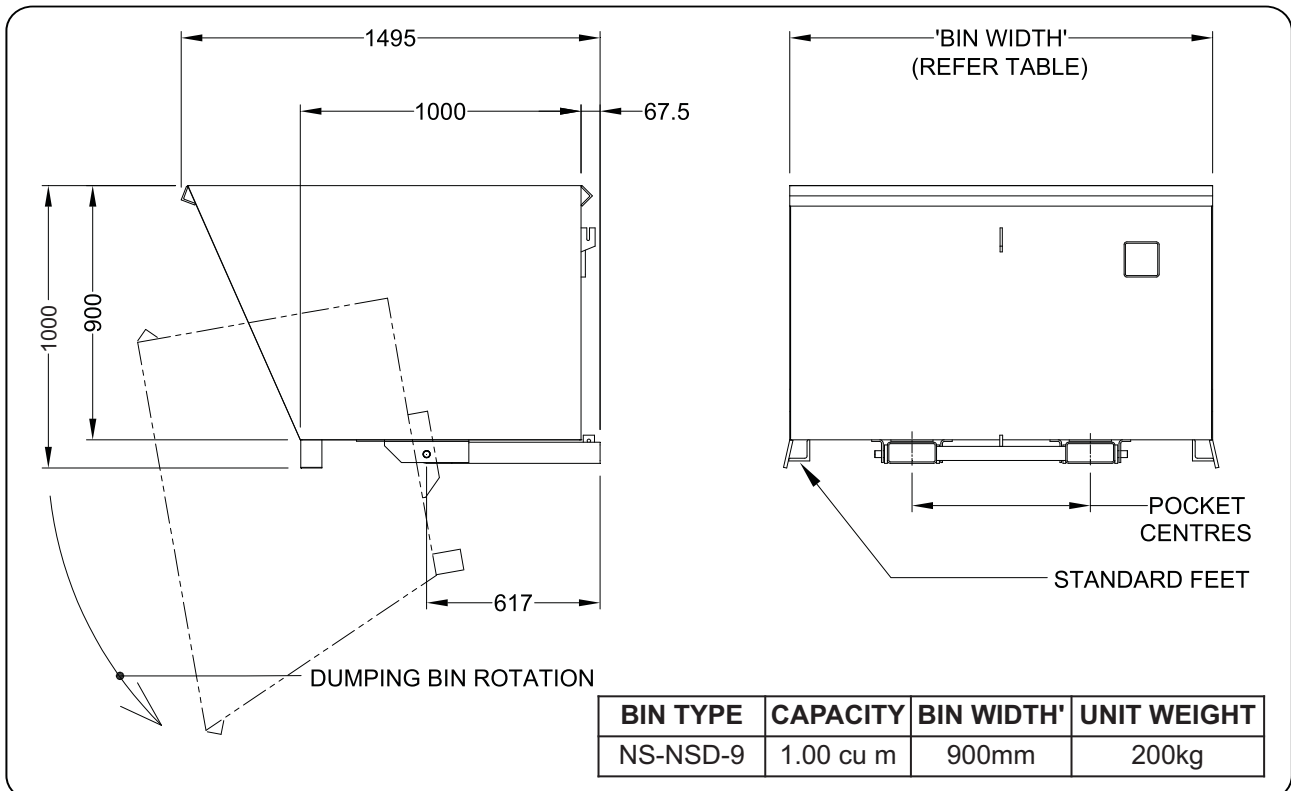


(Type NS-NSD15 standard model shown)
Refer 'NS-NSD_WL_Sales' Product Specification sheet
for Wheels & Crane Lug options.

All type NS-NSD bins have reinforced edging, a Safe Working Load of 1000kg and range in sizes from 0.7 – 2.0 cubic metre capacities. These bins are available in either enamel painted over primed steel or H.D. Galvanised finish.

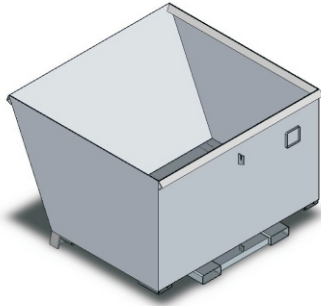
SPECIFICATIONS:

- Pocket size 165 x 65mm
- Pocket Centres – 635mm (NSD6 – 381mm)
- Safe Working Load 1000kg
- Unit Weight – refer Table
- Volume Capacity – refer Table
- HCG 750mm
- VCG 400mm
- Wheels, Crane Lugs & Lid Optional
- Drain Valve & Strainer Optional



Type NS-NSD-12 Self Dumping Bin

The type NS-NSD-12 Self Dumping Bin has been designed to provide an economical solution to collecting and disposing of industrial waste. Collection can be carried out at the point of manufacture. When transporting the bin to the discharge point, the Forklift tines are positioned fully under the bin utilising the Forklifts maximum lift capacity. To tip the bin, the Operator catches the bin on the edge of the bulk container and reverses the Forklift. When the tines clear the pivot point, raising the bin will permit a complete discharge of contents.

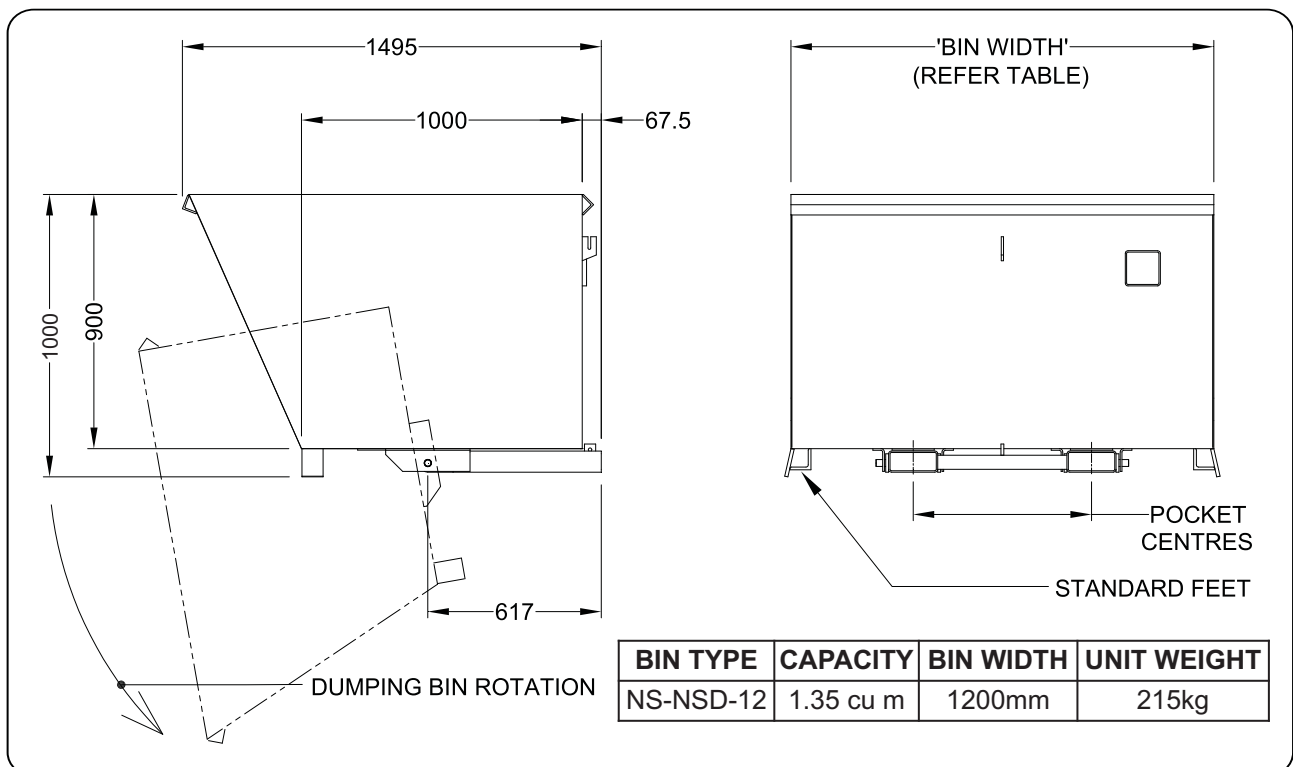


(Type NS-NSD15 standard model shown)
Refer 'NS-NSD_WL_Sales' Product Specification sheet
for Wheels & Crane Lug options.

All type NS-NSD bins have reinforced edging, a Safe Working Load of 1000kg and range in sizes from 0.7 – 2.0 cubic metre capacities. These bins are available in either enamel painted over primed steel or H.D. Galvanised finish.

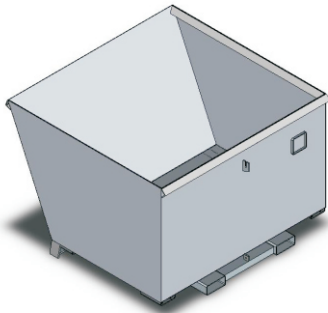
SPECIFICATIONS:

- Pocket size 165 x 65mm
- Pocket Centres – 635mm (NSD6 – 381mm)
- Safe Working Load 1000kg
- Unit Weight – refer Table
- Volume Capacity – refer Table
- HCG 750mm
- VCG 400mm
- Wheels, Crane Lugs & Lid Optional
- Drain Valve & Strainer Optional



Type NS-NSD-15 Self Dumping Bin

The type NS-NSD-15 Self Dumping Bin has been designed to provide an economical solution to collecting and disposing of industrial waste. Collection can be carried out at the point of manufacture. When transporting the bin to the discharge point, the Forklift tines are positioned fully under the bin utilising the Forklifts maximum lift capacity. To tip the bin, the Operator catches the bin on the edge of the bulk container and reverses the Forklift. When the tines clear the pivot point, raising the bin will permit a complete discharge of contents.

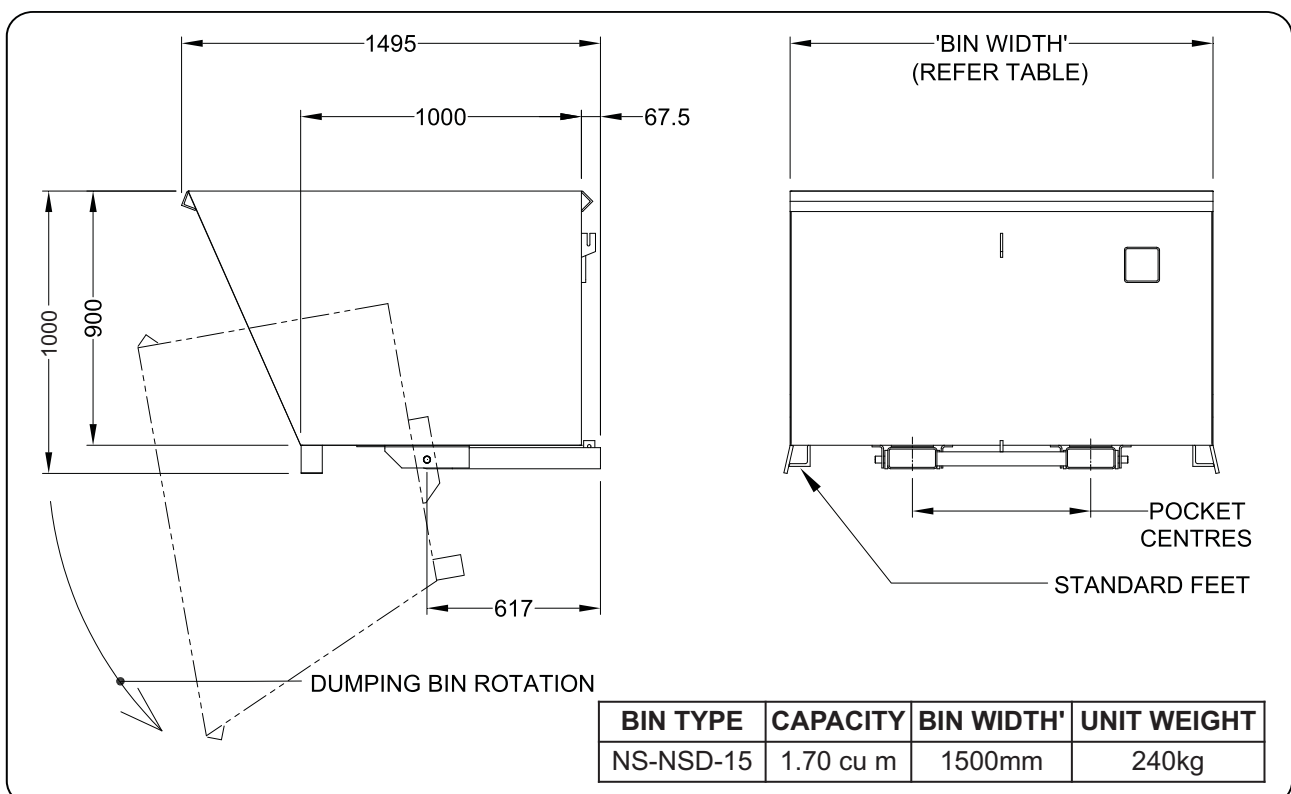


(Type NS-NSD15 standard model shown)
Refer 'NS-NSD_WL_Sales' Product Specification sheet
for Wheels & Crane Lug options.

All type NS-NSD bins have reinforced edging, a Safe Working Load of 1000kg and range in sizes from 0.7 – 2.0 cubic metre capacities. These bins are available in either enamel painted over primed steel or H.D. Galvanised finish.

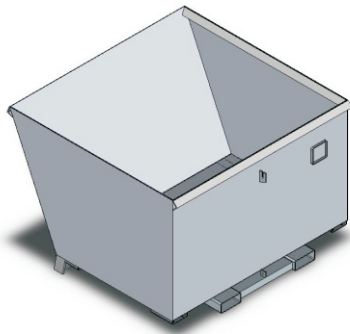
SPECIFICATIONS:

- Pocket size 165 x 65mm
- Pocket Centres – 635mm (NSD6 – 381mm)
- Safe Working Load 1000kg
- Unit Weight – refer Table
- Volume Capacity – refer Table
- HCG 750mm
- VCG 400mm
- Wheels, Crane Lugs & Lid Optional
- Drain Valve & Strainer Optional



Type NS-NSD-18 Self Dumping Bin

The type NS-NSD-18 Self Dumping Bin has been designed to provide an economical solution to collecting and disposing of industrial waste. Collection can be carried out at the point of manufacture. When transporting the bin to the discharge point, the Forklift tines are positioned fully under the bin utilising the Forklifts maximum lift capacity. To tip the bin, the Operator catches the bin on the edge of the bulk container and reverses the Forklift. When the tines clear the pivot point, raising the bin will permit a complete discharge of contents.



Refer 'NS-NSD_WL_Sales' Product Specification sheet for Wheels & Crane Lug options.

All type NS-NSD bins have reinforced edging, a Safe Working Load of 1000kg and range in sizes from 0.7 – 2.0 cubic metre capacities. These bins are available in either enamel painted over primed steel or H.D. Galvanised finish.

SPECIFICATIONS:

- Pocket size 165 x 65mm
- Pocket Centres – 635mm
- Safe Working Load 1000kg
- Unit Weight – 260kg
- Volume Capacity – 2.00cu m
- HCG 750mm
- VCG 400mm
- Wheels, Crane Lugs & Lid Optional
- Drain Valve & Strainer Optional

